



MONITOUCH V9 Series

V907xW OPERATING INSTRUCTIONS

Thank you for selecting the MONITOUCH V907xW series. Make sure that the delivered unit conforms to your requirements and check for any missing or damaged parts. Before using the unit, be sure to thoroughly read this document and the V9 Series Hardware Specifications manual to ensure proper operation.

Accessories

V907xW OPERATING INSTRUCTIONS (this manual):	1 copy
Fixtures:	4 pcs.
Cable tie for securing USB cables:	1 pc.

Model



1	Screen size	7	7.0-inch wide
2	Touch switch specifications	0	Analog resistance film type
3	Functional capabilities	i	Capacitance type
4	Display specifications	W	Includes built-in LAN port
5	Wireless LAN I/F	None	TFT color LCD (WVGA, 16.77 million colors*)
6	Extended LAN I/F	R	Includes wireless LAN I/F
		None	No extended LAN I/F
7	Power supply specifications	L	Includes extended LAN I/F
		D	No extended LAN I/F

* Only for displaying "picture" images and 3D parts. All other content is displayed using 65,536 colors.

Notes on Safe Usage

This document describes various precautions categorized under the following two levels with the signal words "Danger" and "Caution."

	DANGER	Indicates an imminently hazardous situation which, if not avoided, will result in death or serious injury.
	CAUTION	Indicates a potentially hazardous situation which, if not avoided, may result in minor or moderate injury and could cause property damage.

Note that even items indicated with **CAUTION** may also result in a serious accident.

	DANGER	<ul style="list-style-type: none">Never use the output function of MONITOUCH for operations that may threaten human life or cause damage to the system, such as switches to be used in case of emergency. Please design the system so that it can cope with touch switch malfunctions. A touch switch malfunction may result in machine accidents or damage.Turn off the power supply when setting up the unit, connecting new cables, or performing maintenance or inspections. Otherwise, you may receive an electrical shock or damage may occur.Never touch any terminals while the power is on. Otherwise, you may receive an electrical shock.Always cover the terminals on the unit before turning the power on and operating the unit. Without the terminal cover in place, you may receive an electric shock.The liquid crystal in the LCD panel is a hazardous substance. If the LCD panel is damaged, do not ingest the leaked liquid crystal. If leaked liquid crystal makes contact with skin or clothing, wash it away with soap and water.Never disassemble, recharge, deform by pressure, short-circuit, reverse the polarity of the lithium battery, nor dispose of the lithium battery in fire. Failure to follow these conditions may lead to explosion or ignition.Never use a lithium battery that is deformed, leaking, or shows any other signs of abnormality. Failure to follow these conditions may lead to explosion or ignition.Even if a screen display becomes dim, the touch switch function remains active. Please do not touch the dim screen, it may cause an accident or damage to your machine by malfunction.
	CAUTION	<ul style="list-style-type: none">Check the appearance of the unit after unpacking. Do not use the unit if any damage or deformation is found. Failure to do so may lead to fire, damage, or malfunction.For use in a facility or as part of a system related to nuclear energy, aerospace, medical, traffic equipment, or mobile installations, please consult your local distributor.Operate (or store) MONITOUCH under the conditions indicated in this document and related manuals. Failure to do so could cause fire, malfunction, physical damage or deterioration.Observe the following environmental restrictions on use and storage of the unit. Otherwise, fire or damage to the unit may result.<ul style="list-style-type: none">Avoid locations where there is a possibility that water, corrosive gas, flammable gas, solvents, grinding fluids, or cutting oil can come into contact with the unit.Avoid high temperatures, high humidity, and outside weather conditions, such as wind, rain, or direct sunlight.Avoid locations where excessive dust, salt, and metallic particles are present.Avoid locations where vibrations or physical shocks may be transmitted to the unit.Equipment must be correctly mounted so that the main terminal of MONITOUCH will not be touched inadvertently. Otherwise, you may receive an electric shock or an accident may occur.Tighten the fixtures on MONITOUCH to an equal torque of 5.31 lbf-in (0.6 N·m). Excessive tightening may distort the panel surface. Loose mounting screws may cause the unit to fall down, malfunction, or short-circuit.Periodically check that terminal screws on the power supply terminal block and fixtures are firmly tightened. Using the unit with loose screws or nuts may result in fire or malfunction.Tighten the terminal screws on the power supply terminal block to an equal torque of 7.1 to 8.8 lbf-in (0.8 to 1.0 N·m). Improper tightening of screws may result in fire, malfunction, or other serious trouble.MONITOUCH has a glass screen. Do not drop or impart any physical shock to the unit. Otherwise, the screen may be damaged.Correctly connect the cables to the terminals of MONITOUCH in accordance with the specified voltage and wattage. Overvoltage, overwattage, or incorrect cable connection may cause fire, malfunction, or damage to the unit.Always ground MONITOUCH. The FG terminal must be used exclusively for MONITOUCH with the level of grounding resistance less than 100 Ω. Otherwise, electric shock or a fire, touch switch or other malfunctions may occur.Prevent any conductive particles from entering into MONITOUCH. Failure to do so may lead to fire, damage, or malfunction.After wiring is finished, remove the sheet used as a dust cover before starting to operate MONITOUCH. Operation with the dust cover attached may result in accidents, fire, malfunction, or other trouble.Do not attempt to repair, disassemble, or modify MONITOUCH yourself. Contact Hakko Electronics or the designated contractor for repairs. Otherwise, such action may cause a malfunction.Hakko Electronics Co., Ltd. is not responsible for any damages resulting from repair, overhaul, or modification of MONITOUCH that was performed by an unauthorized person.Do not use sharp-pointed tools to press touch switches.Only experts are authorized to set up the unit, connect cables, and perform maintenance and inspection.Note that the lithium battery contains combustible material such as lithium and organic solvents. Mishandling may cause heat, explosion, or ignition resulting in fire or injury. Read related manuals carefully and handle the lithium battery correctly as instructed.Take safety precautions during operations such as changing settings when the unit is running, forced output, and starting and stopping the unit. Any misoperations may cause unexpected machine movement, resulting in machine accidents or damage.In facilities where a failure of MONITOUCH could lead to accidents threatening human life or other serious damage, make sure that such facilities are equipped with adequate safeguards.At the time of disposal, MONITOUCH must be treated as industrial waste.Before touching MONITOUCH, discharge static electricity from your body by touching grounded metal. Excessive static electricity may cause malfunction or trouble.Insert an SD card into the unit in the same orientation as pictured on the unit. Failure to do so may damage the SD card or the slot on the unit.The SD card access LED flashes red when the SD card is being accessed. Never remove the SD card or turn off power to the unit while the LED is flashing. Doing so may destroy the data on the SD card. Check that the LED has turned off before removing the SD card or turning off the power to the unit.If a LAN cable is inserted into the MJ1 or MJ2 connector, the device on the other end may be damaged. Check the connector names on the unit and insert cables into the correct connectors.

- Be sure to remove the protective sheet that is attached to the touch panel surface at delivery before use. Using MONITOUCH with the protective sheet attached may result in incorrect touch switch activation.
- If MONITOUCH is analog resistance film type, do not press two or more points on the screen at the same time. If there is a switch between the two pressed points, it may be activated.
- If MONITOUCH (capacitive touch screen) is used, please the following points is noted.
 - Use a Class 2 power supply for the 24 VDC power unit. Using MONITOUCH with an unstable power supply may result in incorrect touch switch activation.
 - Capacitive touch switch accepts pressing two buttons at the same time. Touch switch operation is canceled if 3 or more positions are pressed simultaneously.
 - Capacitive touch screen is open to influence. Do not i) put any conductive material such as metal part close to the surface of the panel or ii) operate the panel when its surface is wet. Doing so causes malfunction.

Notes on LCD

- Tiny spots (dark or luminescent) may appear on the display due to the liquid crystal characteristics. Please note that this is not a fault or malfunction of MONITOUCH.

UL/cUL Approval

The V907xW series is a UL/cUL-approved product. This product complies with the following standards.

- Hardware Ver. a to e : UL508 (E313548)
- Hardware Ver. f to z : UL61010-1/UL61010-2-201 (E313548)

UL Listing Application for Systems Equipped with MONITOUCH

- The back panel of MONITOUCH is not an approved enclosure. For UL listing application, embed MONITOUCH in your system and configure an enclosure so that the entire system will be UL-approved.
- Use MONITOUCH indoors only.
- For use on a flat surface of an indoor only Type 1, 4X, 12 or 13 enclosure.
- Use a bare cable for wiring the power supply.

Screw size	Tightening torque	Power cable
M3.5	7.1 lbf-in (0.8 N·m)	AWG16 to AWG14. Rated temperature 60 °C Use copper conductor only.

- Always use a Class 2 power supply for the 24 VDC power unit.

CE Marking

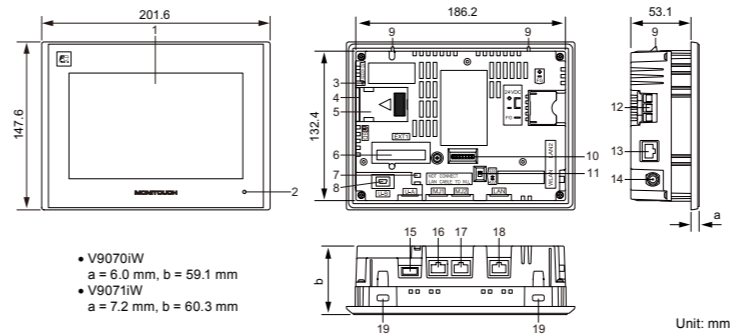
- The V907xW series complies with the following EMC directives, RoHS directives and RE directives. For more information, refer to the separate V9 Series Hardware Specifications manual.
- The V907xW series is identified as a class-A product in industrial environments. In the case of use in a domestic environment, the unit is likely to cause electromagnetic interference. Preventive measures should thereby be taken appropriately.

General Specifications

Item	V907iW	V907iW
Conformance Standards	CE, KC, UL/cUL *1, Regarding Radio Act and wireless license (JPN: TELEC, USA: FCC, CAN: IC RSS, EU: RE, KOR: KC) *2	
Rated Voltage	24 VDC	
Acceptable Voltage Range	24 VDC ±10 %	
Acceptable Momentary Power Failure	Within 1 ms	
Power Consumption (Maximum Rating)	22 W or less	
Rush Current	10 A or less, 6 ms (surrounding air temperature at 25 °C)	
Withstand Voltage	DC external terminals to FG: 500 VAC for 1 minute	
Insulation Resistance	DC external terminals to FG: 500 VDC, 10 MΩ or higher	
Surrounding Air Temperature	0 °C to +50 °C *3	
Storage Surrounding Air Temperature	-10 °C to +60 °C *3	
Operational Ambient Humidity	85 % RH or less (without dew condensation) *3	
Storage Ambient Humidity	85 % RH or less (without dew condensation) *3	
Altitude	2000 m or less	
Atmosphere	No corrosive gas, no excessive dust, and no conductive dust	
Vibration Resistance	JIS B 3502 (IEC61131-2) compliant Vibration frequency: 5 to 9 Hz, Half-amplitude: 3.5 mm, Vibration frequency: 9 to 150 Hz, Constant acceleration: 9.8 m/s ² (1.0 G), X, Y, and Z: 3 directions (10 times each)	
Shock Resistance	JIS B 3502 (IEC61131-2) compliant Peak acceleration: 147 m/s ² (15 G), X, Y, and Z: 3 directions, 3 times each (18 times in total)	
Noise Resistance	1000 Vp-p (pulse width 1 μs, rising time: 1 ns)	
Static Electricity Discharge Resistance	Compliant with IEC61000-4-2, contact: 6 kV, air: 8 kV	
Overvoltage Category *4	II	
Contamination Level *5	2	
Grounding	Less than 100 Ω, FG/SG separated	
Structure	Protection structure: front panel Type 4X/13, complies with IP66 (when using waterproof gasket) rear case complies with IP20 in a body Form: inserted into a mounting panel Sheet metal thickness: 1.5 to 4.0 mm *6	
Cooling System	Natural cooling	
Weight	Approx. 1.0 kg	
Dimensions W × H × D × Panel Cut-Out Dimensions	201.6 × 147.6 × 59.1 mm 187.2 ^{+0.5} × 133.4 ⁻⁰ mm	201.6 × 147.6 × 60.3 mm
Material	PC resin	
Display Part	Surface Sheet (PET : 0.188 mm)	Touch panel (Glass)

*1 Refer to "UL/cUL Approval".
*2 Only for wireless LAN model.
Regarding Radio Act and wireless license, refer to "About Wireless LAN on V9 Advanced Model" instruction manual.
*3 Use MONITOUCH in an environment with a wet-bulb temperature of 39 °C or less. Otherwise, MONITOUCH may be damaged.
*4 This indicates the distribution section to which the unit is intended to be connected to within the path between the distribution of the public power network and machinery in the facility. "Category II" applies to devices supplied with power from mains sockets or similar points. The withstand surge voltage is 500 V for devices rated up to 50 V.
*5 This is an index that expresses the degree of conductive contamination in the environment where MONITOUCH is used. "Contamination level 2" indicates conditions where only non-conductive contamination occurs. However, due to condensation, temporary conductive contamination may occur.
*6 Even when the mounting panel thickness is within the specified range, the panel itself may warp depending on the material and size of the mounting panel. Use a panel that can withstand the forces of mounting.

Names of Components and Dimensions



- V907iW a = 6.0 mm, b = 59.1 mm
- V907iW a = 7.2 mm, b = 60.3 mm

- Display
- Power lamp
- SD card access LED
- SD card slot (SD)
- Battery holder
- Communication interface connector (EXT1)
- USB cable clamp hole
- USB mini-B port (U-B)
- Fall prevention tabs
- DIP switches
- Slide switch
- Power supply terminal block
- Extended LAN connector (LAN2)
- Connector for dipole antenna with wireless LAN (WLAN) *1
- USB-A port (U-A)
- Modular jack (MJ1)
- Modular jack (MJ2)
- LAN connector (LAN)
- Mounting holes

*1 Only for wireless LAN model

Modular Jack (MJ1)

The MJ1 connector is used for serial communication (RS-232C/RS-485) with an external device and screen data transfer.

MJ1	Pin No.	Signal	Description	Pin No.	Signal	Description
 FG: Frame ground	1	+RD/+SD	RS-485 data (+)	5	SG	Signal ground
	2	-RD/-SD	RS-485 data (-)	6		
	3			7	RD	RS-232C receive data
	4	+5 V	Externally supplied +5 V *1	8	SD	RS-232C send data

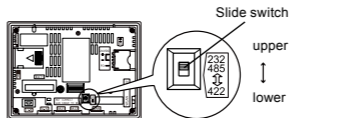
*1 For MJ1 and MJ2, the maximum allowable current is 150 mA in total.

Modular Jack (MJ2)

The MJ2 connector is used for serial communication (RS-232C/RS-485 or RS-422) with an external device.

MJ2	Pin No.	Signal	Description	Slide switch
1 *1		+RD/+SD	RS-485 data (+)	upper
		+SD	RS-422 send data (+)	lower
2 *1		-RD/-SD	RS-485 data (-)	upper
		-SD	RS-422 send data (-)	lower
3				
4		+5 V	Externally supplied +5 V *2	upper, lower
5				
6		SG	Signal ground	upper, lower
7 *1		RD	RS-232C receive data	upper
		+RD	RS-422 receive data (+)	lower
		SD	RS-232C send data	upper
8 *1		-RD	RS-422 receive data (-)	lower

*1 The signal can be set by the slide switch. (Upon delivery : upper position)
Upper position : RS-232C/RS-485 (2-wire connection)
Lower position : RS-422 (4-wire connection)
*2 For MJ1 and MJ2, the maximum allowable current is 150 mA in total.



LAN Connector (LAN) / Extended LAN Connector (LAN2)

The LAN connector is used for Ethernet communication (100BASE-TX, 10BASE-T). Specification: IEEE802.3 (u)-compliant, UDP/IP and TCP/IP support, Auto-MDIX and Auto-Negotiation function support

	CAUTION	<ul style="list-style-type: none"> • MJ1/2 and LAN connector are 8-pin modular jacks. Check the connector names on the unit and insert cables into the correct connectors. • Do not connect any peripheral device that will carry excess voltage to the LAN connector.
--	----------------	--

For more information on the LAN connectors and cables, refer to the separate V9 Series Hardware Specifications manual.

Connector for Dipole Antenna with Wireless LAN (WLAN) Only for wireless LAN model

This connector is used for external dipole antenna with wireless LAN, "V9-ANT" (optional). Specification: Reverse SMA jack

For more information on using wireless LAN, refer to the separate V9 Series Hardware Specifications manual.

USB Ports (U-A/U-B)

These ports are used for connecting USB devices and a printer or transferring screen programs (USB mini-B only). Specification: Compliant with USB version 2.0

For more information on using USB ports and securing cables, refer to the separate V9 Series Hardware Specifications manual.

DIP Switches

The dip switch settings are as follows. (The following figure shows the DIP switch settings upon delivery.) Turn the power off before changing any DIP switch settings.

(Enlarged view)	No.	Description	No.	Description
	1	Automatic storage upload	5	Not used
	2	Touch switch test screen display	6	MJ1 terminal resistance
	3		7	+SD/-SD terminal resistance of MJ2
	4		8	+RD/-RD terminal resistance of MJ2

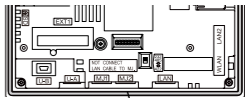
For more information, refer to the separate V9 Series Hardware Specifications manual.

Mounting Procedure

Mounting Procedure

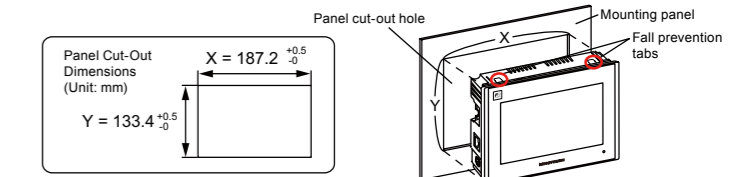
- Place the V9 series unit on a flat surface with the display facing down and insert the provided waterproof gasket into the groove around the unit.

	CAUTION	The unit will not be waterproof if the waterproof gasket is not correctly inserted into the groove.
--	----------------	---



Waterproof gasket

- Mount the V9 series unit into the mounting panel (maximum thickness of 4.0 mm) while paying attention to the fall prevention tabs.
 - The V9 series unit can be mounted in upright, 90° left, and 90° right orientations.



- Insert two of the provided fixtures into the mounting holes at the top and bottom of the V9 series unit and tighten them with the tightening screws to secure the unit in place. (Tightening torque: 5.31 lbf-in (0.6 N·m))
 - Ground the mounting panel to prevent any buildup of static electricity.

Mounting Angle

Install the unit within the angle range of 15 to 135 degrees. Note that mounting angle will differ depending on the mounting orientation and whether power is supplied externally to the modular jacks (MJ1/MJ2) or USB-A port. For more information, refer to the separate V9 Series Hardware Specifications manual.

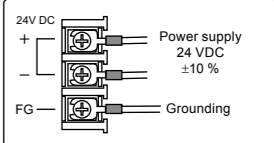
Electrical Wiring and Grounding

	DANGER	Electrical shock hazard! Shut off the power before connecting the power supply cable.
--	---------------	---

Power Supply Cable Connection

- Connect the power supply cable to the terminal on the backside of the unit.
- When connecting the power supply cable, tighten the terminal screws to the following torque.

Screw size	Tightening torque
M3.5	7.1 - 8.8 lbf-in (0.8 - 1.0 N·m)



- The power supply must be used within allowable range of voltage fluctuation.
- Use a power supply with low noise between cables and between the ground and cables.
- Use the thickest power supply cable possible to minimize drops in voltage.
- Keep power supply cables away from high-voltage, large-current carrying cables.
- Be sure to attach the terminal cover to the terminal block.

Grounding

	CAUTION	Be sure to establish a ground for MONITOUCH. (The level of grounding resistance should be less than 100 Ω.)
--	----------------	---

- An independent grounding must be used for the unit.
 - Use a grounding cable with a nominal cross section of more than 2 mm².
 - Set the grounding point near the unit to reduce the length of grounding cables.
- Independent grounding (best*) Shared grounding (good) Cross grounding (prohibited)
-
- * If V907iW (capacitive touch screen) is used, please create an exclusive ground.

Notes on Usage of Lithium Battery

The battery provides backup power to the user memory area in SRAM (non-volatile memory SL and SLD, logging/alarm data storage etc.) as well as the built-in clock.

	CAUTION	A battery is already installed upon delivery.
--	----------------	---

Replace battery with V7-BT made by Hakko Electronics Co., Ltd. only. Use of another battery may present a risk of fire or explosion. Replacement of Battery shall be done by an expert only. For more information on battery specifications, replacement, and disposal, refer to the separate V9 Series Hardware Specifications manual. To obtain replacement batteries, contact Hakko Electronics Co., Ltd.

Note on the Directive 2006/66/EC

- The symbol mark on the right is valid for countries in the European Union only.
- The symbol mark on the right is according to the Directive 2006/66/EC Article 20 Information for end-users and Annex II.
- The symbol mark on the right means that battery, at the end-of-life, should be disposed of separately from your household waste.
- If a chemical symbol is printed beneath the symbol on the right, this chemical symbol means that the battery contains a heavy metal at a certain concentration. This will be indicated as follows:
Hg: mercury (0.005 %), Cd: cadmium (0.002 %), Pb: lead (0.004 %)
- In the European Union, there are separate collection systems for used batteries. Please dispose of batteries correctly at your local community waste collection/recycling center.



FE Hakko Electronics Co., Ltd.
890-1, Kamikashiwano-machi, Hakusan-shi, Ishikawa, 924-0035 Japan
TEL : +81-76-274-2144 FAX : +81-76-274-5136
URL www.monitouch.com
Importer in Europe
Fuji Electric Europe GmbH
Goetheing 58, 63067 Offenbach / Main, Germany



(한국어)

MONITOUCH V9 시리즈 V907xW 작동 지침

MONITOUCH V907xW 시리즈를 구입해 주셔서 감사합니다 .

제 공급된 장치가 해당 요구 사항을 준수하는지 그리고 손상되었거나 손상된 부품이 없는지 확인하십시오 . 장치를 사용하기 전에 올바른 장치 작동을 위해 본 문서와 "V9 시리즈 하드웨어 사양" 설명서를 숙지하십시오 .

부속품

V907xW 작동 지침 (본 설명서) : 1 개
사본 고정구 : 4 개
USB 케이블 고정용 케이블 타이 : 1 개

모델

V 9 0 7 □ i W □ □ D	1	2	3	4	5	6	7
	1	2	3	4	5	6	7
	1	2	3	4	5	6	7
1	화면 크기	7	7.0Inch Wide				
2	터치 스위치 사양	0	아날로그 저항 필름 유형				
		1	정전 용량 유형				
3	기능 사양	i	내장된 LAN 포트 포함				
4	화면 사양	W	TFT 컬러 LCD (WVGA, 1677 만개 컬러 *)				
5	무선 LAN I/F	없음	무선 LAN I/F 없음				
		R	무선 LAN I/F 있음				
6	확장 유선 LAN I/F	없음	확장 유선 LAN I/F 없음				
		L	확장 유선 LAN I/F 있음				
7	전원 공급기 사양	D	DC 24 V 유형 (CE/KC/UL/cUL 승인)				

* 이미지와 3D 파트 표시 전용 .

다른 모든 내용은 65,536 개 컬러로 표시합니다 .

안전 사용에 대한 참고 사항

본 문서에서는 다양한 주의 사항을 두 개의 위험 수준에 따라 "위험" 및 "주의" 로 구분합니다 .

	위험	방지하지 않으면 사망 또는 중상을 초래할 수 있는 매우 위험한 상황 을 표시합니다 .
	주의	방지하지 않으면 경상 또는 부상 및 물적 손해를 초래할 수 있는 잠재적으로 위험한 상황 을 표시합니다 .

주의 로 표시된 항목도 심각한 사고를 일으킬 수 있습니다 .

위험

- 비상 시 사용하는 스위치와 같이 인명을 위협하거나 시스템을 손상할 가능성이 있는 조작에 MONITOUCH 출력 기능을 사용하지 마십시오 . 터치 스위치의 고장에 대처할 수 있도록 시스템을 설계 하십시오 . 터치 스위치 오작동이 발생할 경우 기기 사고 또는 손상으로 이어질 수 있습니다 .
- 기기를 설치하거나, 새 케이블을 연결할 때 또는 유지 보수나 검사를 수행할 때는 전원 공급을 차단하 시시오 . 그렇지 않으면 감전되거나 손상이 발생할 수 있습니다 .
- 전원이 켜져 있는 상태에서서는 터미널을 만지지 마십시오 . 이에 따르지 않으면 감전이 발생할 수 있습니다 .
- 장치에 전원을 공급하여 작동하기 전 장치의 단자를 반드시 덮어야 합니다 . 단지 커버를 덮지 않으면 감전이 발생할 수 있습니다 .
- LCD 패널 안에 있는 액정은 유독물질입니다 . LCD 패널이 손상된 경우, 누출된 액정을 먹지 마십시오 . 누설이 발생한 액정에 피부 또는 의복이 닿은 경우에는 비누와 물을 사용하여 세척하십시오 .
- 리튬 배터리를 절대로 분해하거나, 재충전하거나, 압력을 가해 변형시키거나, 단락시키거나, 극성을 바꾸거나, 물에 담구지 마십시오 . 이러한 사항을 지키지 않으면 폭발이나 화재가 발생할 수 있습니다 .
- 사용하지 않거나, 누출되거나, 기타 이상 증상이 발생하면 리튬 배터리는 절대로 사용하지 마십시오 . 이러한 사항에 유의 및 고장 등에 의해 화재가 발생할 수 있습니다 .
- 배터리를 수명 및 고장 등에 의해 화재가 어두워진 경우에도 화면 상의 스위치는 유효합니다 . 화면이 어두워서 보기 어려운 상태일 때 화면에 닿지 않도록 하십시오 . 오작동에 의한 기계 파손 사고의 우려 가 있습니다 .
- 주의**
 - 포장재를 개봉한 후 장치의 외관을 점검하십시오 . 손상 또는 변형된 부분이 있으면 기기를 사용하지 마 시시오 . 그렇지 않으면 화재, 손상 또는 고장이 일어날 수 있습니다 .
 - 원자력, 항공, 의료, 교통 장비 또는 이동 설치에 관련된 시설 또는 시스템에서 사용하는 경우에는 가까 운 대리점에 문의하십시오 .
 - 본 문서 및 관련 설명서에 기재된 조건에 따라 MONITOUCH 를 작동 또는 보관하십시오 . 그렇지 않 으면 화재, 고장, 외관 손상 또는 품질 저하를 초래할 수 있습니다 .
 - 장치의 사용 및 보관 시 다음과 같은 환경 제한 사항을 준수하십시오 . 그렇지 않으면 화재 발생하거나 기 기가 손상될 수 있습니다 .
 - 물, 부식성 가스, 가연성 가스, 솔벤트, 연마유, 절단석유와 접촉이 예상되는 환경은 피하십시오 .
 - 고온 다습하고 비, 바람, 적사 광선 등에 노출되는 외부 조건은 피하십시오 .
 - 먼지, 염분 및 금속 입자가 지나치게 많은 장소는 피하십시오 .
 - 진동이나 물리적 충격이 가해질 수 있는 장소에는 기기를 설치하지 마십시오 .
 - MONITOUCH 의 메인 단말기에 실수로 닿지 않도록 장비를 올바르게 장착하십시오 . 그렇지 않으면 감 전 또는 사고가 발생할 수 있습니다 .
 - MONITOUCH 의 고정구를 5.31 lbf-in (0.6 N·m) 토크로 조이십시오 . 너무 세게 조이면 패널 표면이 뒤 물릴 수 있습니다 . 장착 나사가 헐거우면 장치가 떨어지거나, 오작동 또는 단락될 수 있습니다 .
 - 전원 공급기 단말기 블록 및 고정구가 단단하게 조여있는지 주기적으로 점검하십시오 . 나사나 너트가 느슨해지면 화재나 오작동이 발생할 수 있습니다 .
 - 전원 단자 블록의 단자 나사를 7.1 에서 8.8 lbf-in (0.8 에서 1.0 N·m) 토크로 조이십시오 . 나사를 부적 절하게 조일 경우 화재, 오작동 또는 기타 심각한 문제가 발생할 수 있습니다 .
 - MONITOUCH 의 화면은 전기 재질입니다 . 기기를 떨어뜨리거나 물리적인 충격을 가하지 마십시오 . 그 려지 않으면 스크린이 손상될 수 있습니다 .
 - 케이블을 지정된 전압 및 전력에 따라 MONITOUCH 의 종단안 올바르게 연결하십시오 . 과도한 전압, 과도한 전력 또는 올바르게 양개 케이블을 연결하면 화재, 고장 또는 장치가 손상될 수 있습니다 .
 - MONITOUCH 를 반드시 접지해 주십시오 . FG 단자는 100 Ω 이하의 접지 저항을 지닌 MONITOUCH 기 기 전용으로 사용해야 합니다 . 그렇지 않으면 감전, 화재, 또는 터치 스위치가 반응하지 않거나 오동작 의 원인입니다 .
 - 전도성 입자가 MONITOUCH 에 유입되지 않도록 하십시오 . 그렇지 않으면 화재, 손상 또는 고장이 일어 날 수 있습니다 .
 - 배선이 완료되면, MONITOUCH 의 조작을 시작하기 전에 먼지 덮개를 사용했던 종이를 제거하십시오 . 덮개를 장착한 상태에서 작동하면 사고, 화재, 오작동 또는 기타 다른 문제가 발생할 수 있습니다 .
 - 혼자 MONITOUCH 를 수리, 분해 또는 개조하지 마십시오 . Hakko Electronics 또는 수리를 위해서 지 정된 계약 업체에 연락하십시오 . 이 사항을 준수하지 않으면 오작동이 발생할 수 있습니다 .
 - Hakko Electronics Co., Ltd. 는 인증되지 않은 사람이 수행한 MONITOUCH 수리, 분해 또는 개조로 인 해 발생하는 모든 손상에 대해서는 책임지지 않습니다 .
 - 터치 스위치를 누를 때 끝이 뾰족한 도구를 사용하지 마십시오 .
 - 기기 설치, 케이블 연결 또는 유지 보수 검사는 자격을 갖춘 기술자가 작업해야 합니다 .
 - 리튬 배터리에 대한 위험과 유기 용제 같은 가연성 물질이 포함되어 있습니다 . 잘못 취급할 경우 온도 상 승, 폭발 또는 화재로 인해 화재나 신체적 부상을 입을 수 있습니다 . 관련 설명서를 주의 깊게 읽고 지 정에 따라 리튬 배터리를 올바르게 취급하십시오 .
 - 예를 들어 장치가 작동 중일 때 설정을 변경하거나, 강제로 출력하거나, 장치를 시작 및 정지하는 등의 조작 중에는 안전 주의 사항을 준수하십시오 . 장치를 오조작하면 예상하지 못한 작동에 따라서 사고가 발생할거나 장치가 손상될 수 있습니다 .
 - MONITOUCH 의 고장으로 인해 인명을 위협하는 사고나 기타 심각한 손상이 발생하는 설비에는, 적절한 안전 장치를 장착해야 합니다 .
 - MONITOUCH 패기 시에는 산업 폐기물로 처리해야 합니다 .
 - MONITOUCH 를 터치하기 전에, 접지된 금속을 접촉하여 시체 정전기를 방전하십시오 . 과도한 정전기 로 인해 고장 또는 기기 이상이 발생할 수 있습니다 .
 - 장치에 있는 그림에 나와 있는 방향으로 SD 카드를 장치에 삽입하십시오 . 이렇게 하지 않으면 SD 카드 또는 장치의 슬롯이 손상됩니다 .
 - SD 카드에 액세스하는 중에는 SD 카드 액세스 LED 가 적색으로 점멸합니다 . LED 가 점멸 중일 때는 절대로 SD 카드를 빼내거나 장치의 전원을 끄지 마십시오 . 이렇게 하면 SD 카드에 있는 데이터가 손상 될 수 있습니다 . SD 카드를 꺼내거나 장치 전원을 끄기 전 LED 가 꺼진 것을 확인하십시오 .
 - LAN 케이블을 MJ1 또는 MJ2 커넥터에 삽입하면 케이블을 연결된 장치가 손상될 수 있습니다 . 장치 에 있는 커넥터 이름을 확인하고 올바른 커넥터에 케이블을 삽입하십시오 .
 - 제품 운송용으로 터치 패널 전면에 부착한 보호 시트를 떼어 낸 후 사용하지 마십시오 . 보호 시트를 부착한 상태에서 MONITOUCH 를 사용하면 터치 스위치 작동이 올바르게 되지 않을 수 있습니다 .

- 저항 필름이 사용된 아날로그 스위치 해상도의 MONITOUCH 를 사용할 때는 화면에서 둘 이상의 지점을 동시에 누르지 마십시오 . 둘 이상의 위치를 동시에 누르면 누른 위치 사이에 있는 다른 스위치가 작동 할 수 있습니다 .
- 정전 용량 유형의 V9 시리즈의 경우 다음 사항에 주의하십시오 .
 - 24 VDC 전원 장치에 대해 등급 2 전원 공급을 사용하십시오 . 안정적이지 않은 전원에서 MONITOUCH 를 사용하면 터치 스위치 작동이 올바르게 되지 않을 수 있습니다 .
 - 정전 용량 터치 패널은 2 점 동시 조작이 가능합니다 . 3 점 이상을 동시에 조작하면 터치 조작이 취소 됩니다 .
 - 정전 용량 터치 패널은 전도성 물질의 영향을 받기 쉽기 때문에, 패널 표면 근처에 금속 등의 전도 물 질을 배치하거나 표시부가 젖어있는 상태에서 사용하지 마십시오 . 오동작의 원인입니다 .

LCD 정보

- 액정의 특성상 디스플레이에 작은 점 (어둠거나 밝음) 이 나타날 수 있습니다 . 이는 MONITOUCH 의 결함이나 오작동이 아닙니다 .

UL/cUL 승인

V907xW 시리즈는 UL/cUL 승인 제품입니다 . 본 제품은 다음 표준 을 준수합니다 .

- Hardware Ver. a to e :
 - UL508 (E313548)
- Hardware Ver. f or later :
 - UL61010-1/UL61010-2-201 (E313548)

MONITOUCH 가 장착된 시스템에 UL 목록 적용

- MONITOUCH 의 후면 패널은 밀봉되어서는 안 됩니다 . UL 목록을 적용하려면 전체 시스템이 UL 승인되도 록 시스템에 MONITOUCH 를 구축하고 밀봉을 구성하십시오 .
- 설비에서만 MONITOUCH 를 사용하십시오 .
- 밀봉 유형 1 또는 4X, 12, 13 을 준수할 수 있도록 평면 표면에 MONITOUCH 를 장착하십시오 .
- 전원 공급기를 연결하기 위해 배어 케이블을 사용하십시오 .

나사 크기	조임 토크	전원 케이블
M3.5	7.1 lbf-in (0.8 N·m)	AWG16 ~ AWG14, 60 °C 온도 정격, 구리선

- 항상 DC 24 V 전원 장치에 대해 등급 2 전원 공급기를 사용하십시오 .

CE 마킹

- V907xW 시리즈는 다음 EMC 지침, RoHS 지침 및 RE 지침 을 준수합니다 . 상세한 정보는 "V9 시리즈 하드웨어 사양" 설명서를 참조하십시오 .
- V907xW 시리즈는 산업용 등급 A 제품으로 인가를 받았습니다 . V907xW 시리즈를 실내에서 사용하면 전자 파 장해를 일으킬 수 있습니다 . 그러므로 적절한 예방 조치를 취해야 합니다 .

KC 규격 (사용자안내문)

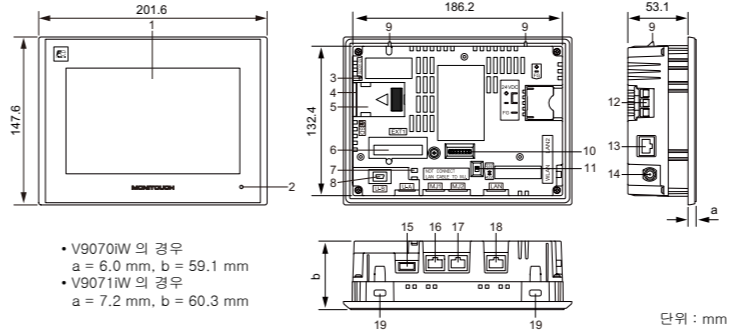
이 기기는 업무용 환경에서 사용할 목적으로 적합성평가를 받은 기기로서 가정용 환경에서 사용하는 경우 전파 간섭의 우려가 있습니다 .

일반 사양

항목	V9070W	V9071W
규격 표준	CE, KC, UL/cUL ¹⁾ , 전파법 (일본: TELEC, 미국: FCC, 캐나다: IC RSS 유럽: RE 한국: KC) ²⁾	
정격 전압	DC 24 V	
작용 가능한 전압 범위	DC 24 V ±10%	
작용 가능한 전원 장애	1ms 이내	
전력 소모량 (최대 정격)	22 W 이하	
돌입 전류	10 A 이하, 6 ms (주변 온도 25 °C)	
내전압	DC 외부 단자 – FG: AC 500 V에서 1 분	
절연 저항	DC 외부 단말기 – FG: DC 500 V, 10 MΩ 이상	
작동 시 주변 온도	0 °C ~ +50 °C ³⁾	
보관 시 주변 온도	-10 °C ~ +60 °C ³⁾	
작동 시 주변 습도	85% RH 이하 (응축수 발생 없음) ³⁾	
보관 주변 습도	85% RH 이하 (응축수 발생 없음) ³⁾	
고도	2000 m 이하	
대기	부식 기체, 과도한 먼지 및 전도성 이물질이 없음	
진동 저항	JIS B 3502 (IEC61131-2) 호환 진동 주파수 : 5 ~ 9 Hz, 빈폭 : 3.5 mm, 진동 주파수 : 9 ~ 150 Hz, 일정 가속도 : 9.8 m/s ² (1.0 G), X, Y, Z: 3 방향 (10 회마다)	
충격 저항	JIS B 3502 (IEC61131-2) 호환 첨두 가속도 : 147 m/s ² (15 G), X, Y, Z: 3 방향, 3 회마다 (총 18 회)	
노이즈 저항	1000 Vp-p (펄스 폭 : 1 μs, 상승 시간 : 1 ns)	
정전기 방전 저항	IEC61000-4-2 규제 준수, 접촉 : 6 kV, 공기 : 8 kV	
과전압 등급 ⁴⁾	II	
오염 수준 ⁵⁾	2	
접지	100 Ω 미만, FG/SG 분리	
구조	보호 구조물 : 전원 패널 유형 4X/13 인 IP66 을 준수합니다 . (방수패킹 사용자) 후면 케이스는 IP20 을 준수합니다 . 분해 : 장착 절차 : 장착 패널에 삽입한 시트 금속 두께 : 1.5 ~ 4.0 mm ⁴⁾	
냉각 시스템	자연 냉각	
중량	대략 1.0 kg	
치수 W × H × D	201.6 × 147.6 × 59.1 mm	201.6 × 147.6 × 60.3 mm
패널 단면 치수	187.2 ^{+0.5} × 133.4 ^{+0.5} mm	
자재	PC 수지	
터치 패널 조작면	표면 시트 (PET : 0.188 mm)	터치 패널 (유리)

- ¹⁾ UL/cUL 승인¹⁾ 를 참조하십시오 .
- ²⁾ 무선 LAN 타입만
- ³⁾ 전파법에 대한 자세한 내용은 별지 "About Wireless LAN on V9 Advanced Model" 를 참조하십시오 .
- ⁴⁾ 습식 전구 온도 가 39 °C 이하인 환경에서 MONITOUCH 를 사용하십시오 . 그렇지 않으면 MONITOUCH 가 손상될 수 있습니다 .
- ⁵⁾ 이것은 공공 전력망과 공장 내 설비 사이의 경로에서 장치를 연결하는 배선부를 의미합니다 . "등급 II", 는 주전원 소켓 또는 동등한 지정에서 전원을 공급하는 장치에 적용됩니다 . 최대 50 V 정격의 장 치가 견딜 수 있는 서지 전압은 500 V입니다 .
- ⁶⁾ 이는 MONITOUCH 가 사용되는 환경에서 전도성 오염 물질의 정도를 나타내는 지표입니다 . "오염 등급 2" 는 비전도성 오염이 발생하는 조건을 나타냅니다 . 그러나 응축으로 인해 일시적인 전도성 오염이 발생할 수 있습니다 .
- ⁸⁾ 장착 패널의 두께가 지정된 범위 내에 드는 경우라도 장착 패널의 재질과 크기에 따라서 패널 자체가 비를 들 수 있습니다 . 장착 시 발생하는 힘을 견딜 수 있는 패널을 사용하십시오 .

구성품의 이름과 치수



- V9070W 의 경우
a = 6.0 mm, b = 59.1 mm
- V9071W 의 경우
a = 7.2 mm, b = 60.3 mm

단위 : mm

1. 디스플레이
2. 전원 램프
3. SD 카드 액세스 LED
4. SD 카드 슬롯 (SD)
5. 배터리 홀더
6. 통신 인터페이스 커넥터 (EXT1)
7. USB 케이블 클램프 구멍
8. USB mini-B 포트 (U-B)
9. 추락 방지 탭
10. DIP 스위치

*1 무선 LAN 타입만

모듈식 잭 (MJ1)

MJ1 커넥터는 외부 장치와의 직렬 통신 (RS-232C/RS-485) 에 사용됩니다 . MJ1 커넥터는 또한 화면 데이터 전송에 사용될 수 있습니다 .

MJ1	핀 번호	신호	설명	핀 번호	신호	설명
 FG: 프레임 접지	1	+RD/+SD	RS-485 데이터 (+)	5		
	2	-RD/-SD	RS-485 데이터 (-)	6	SG	신호 접지
	3			7	RD	RS-232C 데이터 수신
	4	+5 V	외부 공급 +5 V ¹⁾	8	SD	RS-232C 데이터 송신

*1 MJ1 + MJ2, 최대 허용 전류값은 총 150 mA입니다 .

모듈식 잭 (MJ2)

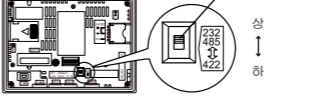
MJ2 커넥터는 외부 장치와의 직렬 통신 (RS-232C/RS-422/RS-485) 에 사용됩니다 .

MJ2	핀 번호	신호	설명	슬라이드 스위치
 FG: 프레임 접지	1 [*]	+RD/+SD	RS-485 데이터 (+)	상
		+SD	RS-422 송신데이터 (+)	하
	2 [*]	-RD/-SD	RS-485 데이터 (-)	상
		-SD	RS-422 송신데이터 (-)	하
	3			
	4	+5 V	외부 공급 +5 V ²⁾	상, 하
	5			
	6	SG	신호 접지	상, 하
7 [*]	RD	RS-232C 수신데이터	상	
	+RD	RS-422 수신데이터 (+)	하	
8 [*]	SD	RS-232C 수신데이터	상	
	-RD	RS-422 수신데이터 (-)	하	

- *1 슬라이드 스위치로 신호를 전환합니다 .
상축 : RS-232C/RS-485 (공칭출시)
하축 : RS-422

*2 MJ1 + MJ2, 최대 허용 전류값은 총 150 mA입니다 .

슬라이드 스위치



LAN 커넥터 (LAN)/ 확장 LAN 커넥터 (LAN2)

LAN 커넥터는 이더넷 통신 (100BASE-TX, 10BASE-T) 에 사용됩니다 . 사양 : IEEE802.3 (u) - 호환, UDP/IP 및 TCP/IP 지원, 자동 -MDIX 및 자동 -감지기능 지원

- 주의**
 - MJ1/2 와 LAN 커넥터는 8 핀 모듈식 칩입니다 . 장치에 있는 커넥터 이름을 확인하고 올바르게 커넥터에 케이블을 삽입하십시오 .
 - LAN 커넥터로 전압이 과도하게 흐르는 주변 장치는 연결하지 마십시오 .

LAN 커넥터 및 케이블에 대한 자세한 내용은 별도의 "V9 시리즈 하드웨어 사양" 설명서를 참조하십시오 .

무선 LAN 용 다이폴 안테나 연결 커넥터 (WLAN) 무선 LAN 타입만

무선 LAN 용 외장 다이폴 안테나 "V9-ANT" (옵션품) 를 연결하는 커넥터입니다 .

사양 : 리버서 SMA 잭

무선 LAN 의 일반 사양 등에 대해 자세한 내용은 별도 "V9 시리즈 하드웨어 사양" 설명서를 참조하십시오 .

오디 USB 포트 (U-A/U-B)

이 포트는 USB 장치와 프린터를 연결하거나 화면 데이터를 전송하는 데 사용됩니다 (USB mini-B 만 해당) . 사양 : USB 버전 2.0 호 호환
USB 포트 사용 및 케이블 고정에 대한 자세한 내용은 별도의 "V9 시리즈 하드웨어 사양" 설명서를 참조하십시오 .

DIP 스위치

DIP 스위치 설정은 다음과 같습니다 . (다음 그림은 배송 시 DIP 스위치 설정을 보여 줍니다 .)
DIP 스위치 설정을 변경하기 전에 전원을 끄십시오 .

(확대한 모습)	No.	설명	No.	설명
	1	자동 저장 장치 모드	5	사용되지 않음
	2	터치 스위치 테스트 화면 표시	6	MJ1 단자 저항
	3	사용되지 않음	7	MJ2 의 +SD/-SD 단자 저항
	4	사용되지 않음	8	MJ2 의 +RD/-RD 단자 저항

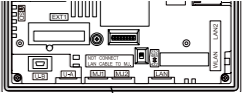
상세한 정보는 "V9 시리즈 하드웨어 사양" 설명서를 참조하십시오 .

장착 절차

장착 절차

1. 디스플레이를 아래로 향하게 한 상태에서 V9 시리즈 장치를 평면 표면에 놓고 장치 주변의 홈에 제공된 방 수 개스킷을 삽입하십시오 .

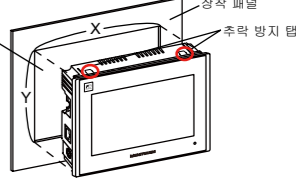
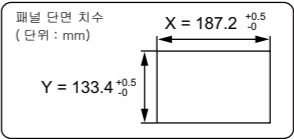
- 주의** 방수 개스킷이 홈 안에 올바르게 삽입되지 않으면 장치의 방수 기능에 문제가 생깁니다 .



방수 개스킷

2. 추락 방지 탭에 주의하면서 장착 패널 (최대 두께 4.0 mm) 에 V9 시리즈 장치를 장착하십시오 .
 - V9 시리즈 장치는 왼쪽과 오른쪽 방향으로 90° 수직으로 장착할 수 있습니다 .

패널 단면 홈



3. V9 시리즈 장치의 맨 위와 맨 아래에 있는 장착 구멍에 2 개의 고정구를 삽입한 후 조임 나사로 조여 장치를 제 자리에 고정하십시오 . (조임 토크 : 5.31 lbf-in (0.6 N·m))
 - 정전기가 누락되지 않도록 장착 패널을 접지하십시오 .

장착 각도

15 ~ 135 각도로 장치를 설치하십시오 .

장착 각도는 장착 방향과 전원이 외부에서 모듈식 잭 (MJ1/MJ2) 또는 USB-A 포트에 공급되는지 여부에 따라 다를 수 있습니다 . 상세한 정보는 "V9 시리즈 하드웨어 사양" 설명서를 참조하십시오 .

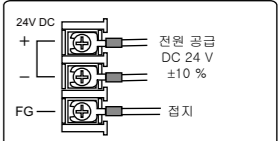
전개 배선 및 접지

- 위험** 감전 위험! 전원 공급기 케이블을 연결하기 전에 전원을 끕니다 .

전원 공급기 케이블 연결

- 기기의 후면에 있는 종단 장치에 전원 공급 케이블을 연결합니다 .
- 전원 공급기 케이블을 연결할 때 다음 토크로 단지 나사를 조이십시오 .

나사 크기	조임 토크
M3.5	7.1 – 8.8 lbf-in (0.8 – 1.0 N·m)

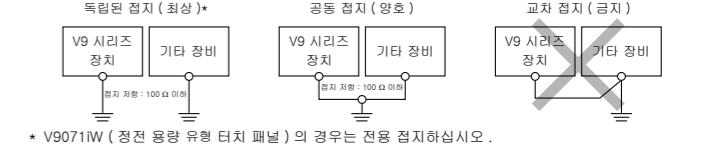


- 전압 변동이 허용 범위 안에 드는 전원을 사용해야 합니다 .
- 케이블 사이 또는 접지 및 케이블 사이의 노이즈가 적은 전원을 사용하십시오 .
- 전압 강하를 최소화하기 위해 가능한 두꺼운 전원 공급 케이블을 사용하십시오 .
- 전원 공급기 케이블을 고압, 대규모 전류가 흐르는 케이블에 가까이 하지 마십시오 .
- 단지 덮개를 단지 블록에 부착하십시오 .

접지

- 주의** MONITOUCH 를 반드시 접지하십시오 . (접지 저항 수준은 반드시 100 Ω 미만이어야 합니다)

- 본 장치는 별도의 접지 처리를 해야 합니다 .
- 공칭 단면적 2 mm² 이상의 접지 케이블을 사용하십시오 .
- 접지 지점을 장치 근처로 설정하여 접지 케이블의 길이를 짧게하십시오 .



* V9071W (정전 용량 유형 터치 패널) 의 경우는 전용 접지하십시오 .

리튬 배터리 사용에 대한 참고 사항

배터리는 SRAM (비휘발성 메모리 \$L, \$LD, 로깅 / 알람 데이터 저장소 등) 의 사용자 메모리 영역 그리고 내장 시계에 백업 전원을 공급합니다 .

- 주의** 배터리는 제품 인도 시 이미 설치되어 있습니다 .