



New AC fans for forced air ventilation

New AC fans for forced air ventilation in IP 66

Our range of forced air fans is specially adapted to market requirements, complies with protection system IP 66 and joins the current fan range, which has enjoyed a market presence spanning many years.

Internal rotor motor technology in renowned ebm-papst quality forms the basis for protection system IP 66.

A special sealing system on the shaft outlet was developed to ensure that the fan will function reliably throughout its service life.

We have placed particular emphasis on the overall aerodynamic concept and applied decades of practical experience during the development of special impellers and ducted elements such as guard grilles and hoods, which has reduced noise emissions and increased air volumes significantly compared to other products on the market.

The terminal box is designed for star, delta and Steinmetz circuit types as standard. We would be more than happy to provide special solutions, such as developing different plug configurations, in close collaboration with our customers.

The cast aluminium guard grille with cast terminal box is extremely hard-wearing and specially designed for demanding ventilation applications.

The specially developed impellers made from high-strength plastic are available in the sizes AH63 to AH90 (axial impeller) and in sizes AH100 to AH200 (centrifugal diagonal impeller).

The hoods are made from galvanised sheet, are straight bead welded and can be adapted individually to suit customer requirements.

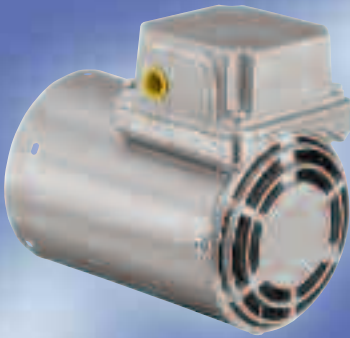
Table of content



■ New AC fans for forced air ventilation	2
■ Size 120 (AH63)	4
■ Size 135 (AH71)	6
■ Size 150 (AH80)	8
■ Size 170 (AH90)	10
■ Size 185 (AH100)	12
■ Size 205 (AH112)	14
■ Size 230 (AH132)	16
■ Size 270 (AH160 / AH180 / AH200)	18
■ Electrical connections	24
■ ebm-papst representatives & subsidiaries	26

AC fans for forced air ventilation

Ø 120 (AH63)



- **Material:**
Metal housing: electrolytically galvanised (Zincor)
Blades: PA plastic (all-plastic impeller)
Motor housing / guard grille: die-cast aluminium
- **Direction of air flow:** "A"
- **Direction of rotation:** Clockwise, viewed from front of impeller
- **Type of protection:** IP 66
- **Insulation class:** "F"
- **Mounting position:** Any
- **Mode of operation:** Continuous operation (S1)
- **Bearings:** Maintenance-free ball bearings

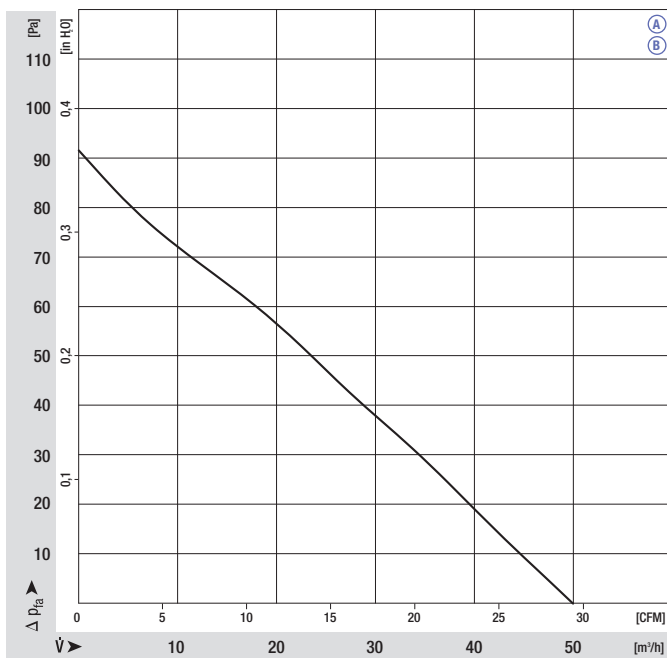
Nominal data		Curve	Nominal voltage	Nominal voltage range	Frequency	Air flow	Speed/rpm	Power input	Current draw	Capacitor	Sound pressure level	Perm. amb. temp.	Mass		
Type	Motor	VAC	VAC	Hz	m³/h	rpm	W	A	µF/VDB	dB(A)	°C	kg			
F2D 120-AB01-02	M2D 024-DF	A	400	380-500	Y	50	50	2800	22	0,06	---	49	-25..+70	2,7	
			400	380-575	Y	60	56	3250	20	0,05	---	52	-25..+70		
		B	230	220-290	Δ	50	50	2800	22	0,11	---	49	-25..+70	2,7	
			230	220-332	Δ	60	56	3250	20	0,09	---	52	-25..+70		
			⊥ (Δ)	230	220-277	⊥ (Δ)	50	50	2800	22	0,11	1,5/400	49	-25..+70	2,7
				230	220-277	⊥ (Δ)	60	56	3250	26	0,12	1,5/400	52	-25..+70	

subject to alterations

The technical data was measured with the end plate attached and an opening width of 17.5 cm²

⊥ (Δ) = Steinmetz connection

Curves



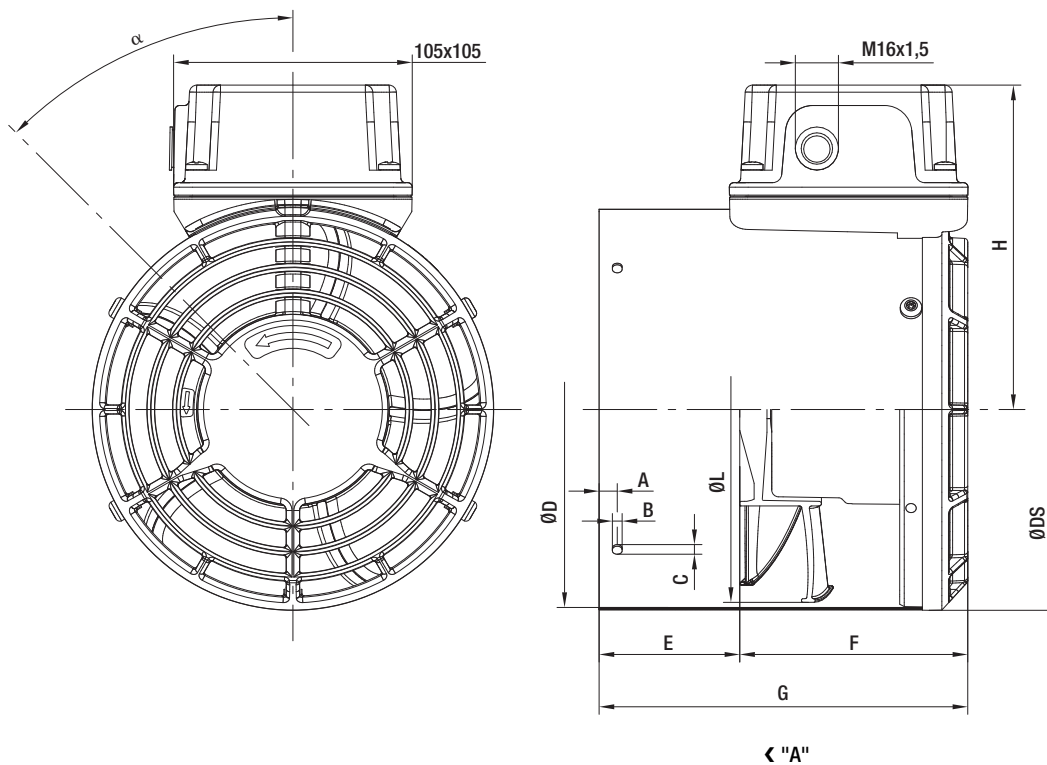
- **Motor protection:** Optional with connection for external TOP
- **Cable exit:** Via terminal box
- **Protection class:** I (as per EN 61800-5-1)
- **Product conforming to standards:** EN 60034
- **Approvals:** UL, CSA

Dimensions

(A)	(B)	(C)	(D)	(E)	F	(G)	H	L	DS	(α)
-----	-----	-----	-----	-----	---	-----	---	---	----	--------------

15	5,5	7	121	50	92,5	142,5	117	118	124	45
----	-----	---	-----	----	------	-------	-----	-----	-----	----

The dimensions in brackets can be modified by the customer.



AC fans for forced air ventilation

Ø 135 (AH71)



- **Material:**
Metal housing: electrolytically galvanised (Zincor)
Blades: PA plastic (all-plastic impeller)
Motor housing / guard grille: die-cast aluminium
- **Direction of air flow:** "A"
- **Direction of rotation:** Clockwise, viewed from front of impeller
- **Type of protection:** IP 66
- **Insulation class:** "F"
- **Mounting position:** Any
- **Mode of operation:** Continuous operation (S1)
- **Bearings:** Maintenance-free ball bearings

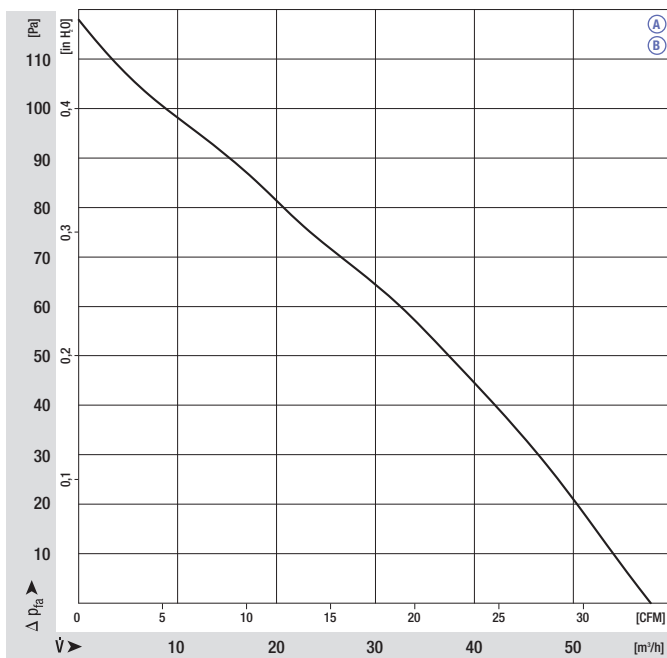
Nominal data		Curve	Nominal voltage	Nominal voltage range	Frequency	Air flow	Speed/rpm	Power input	Current draw	Capacitor	Sound pressure level	Perm. amb. temp.	Mass			
Type	Motor	VAC	VAC	Hz	m ³ /h	rpm	W	A	µF/VDB	dB(A)	°C	kg				
F2D 135-AB01-02	M2D 024-DF	A	400	380-500	Y	50	58	2720	23	0,06	---	51	-25..+70	2,8		
			400	380-575	Y	60	67	3120	23	0,06	---	53	-25..+70			
		B	230	220-290	Δ	50	58	2720	23	0,11	---	51	-25..+70	2,8		
			230	220-332	Δ	60	67	3120	23	0,10	---	53	-25..+70			
					230	220-277	⊥(Δ)	50	58	2720	23	0,11	1,5/400	51	-25..+70	2,8
					230	220-277	⊥(Δ)	60	67	3120	27	0,13	1,5/400	53	-25..+70	

subject to alterations

The technical data was measured with the end plate attached and an opening width of 18.9 cm²

⊥ (Δ) = Steinmetz connection

Curves



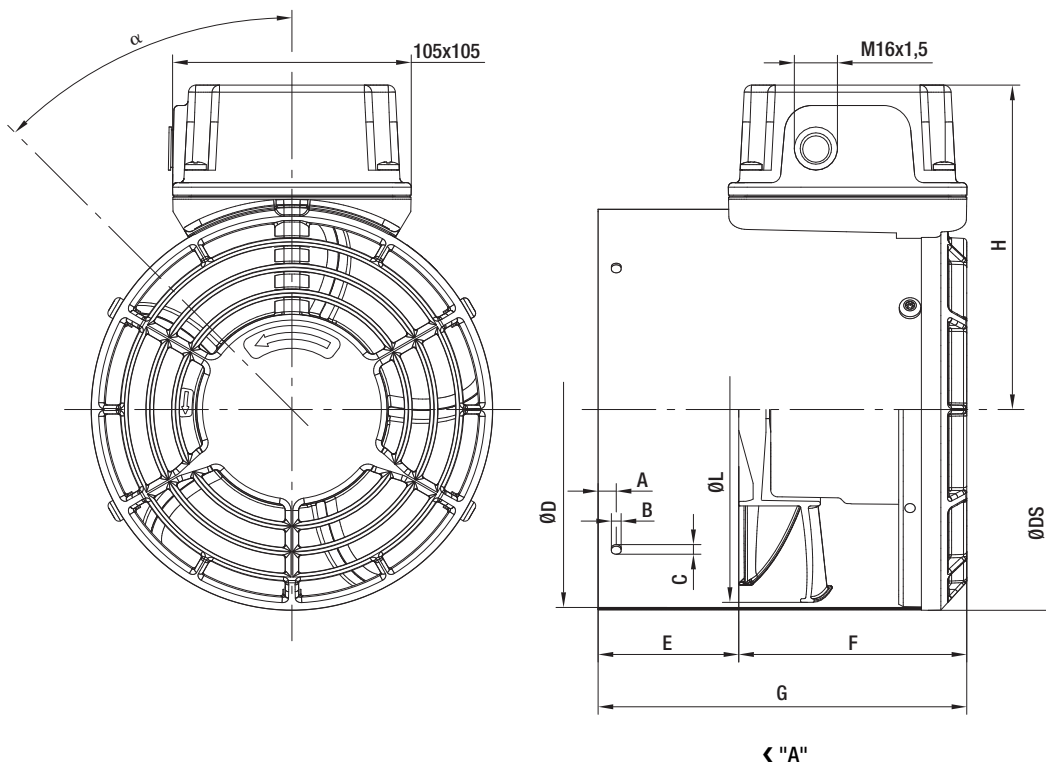
- **Motor protection:** Optional with connection for external TOP
- **Cable exit:** Via terminal box
- **Protection class:** I (as per EN 61800-5-1)
- **Product conforming to standards:** EN 60034
- **Approvals:** UL, CSA

Dimensions

(A)	(B)	(C)	(D)	(E)	F	(G)	H	L	DS	(α)
-----	-----	-----	-----	-----	---	-----	---	---	----	--------------

15	5,5	7	136	50	92,5	142,5	124	132	139	45
----	-----	---	-----	----	------	-------	-----	-----	-----	----

The dimensions in brackets can be modified by the customer.



AC fans for forced air ventilation

Ø 150 (AH80)



- **Material:**
Metal housing: electrolytically galvanised (Zincor)
Blades: PA plastic (all-plastic impeller)
Motor housing / guard grille: die-cast aluminium
- **Direction of air flow:** "A"
- **Direction of rotation:** Clockwise, viewed from front of impeller
- **Type of protection:** IP 66
- **Insulation class:** "F"
- **Mounting position:** Any
- **Mode of operation:** Continuous operation (S1)
- **Bearings:** Maintenance-free ball bearings

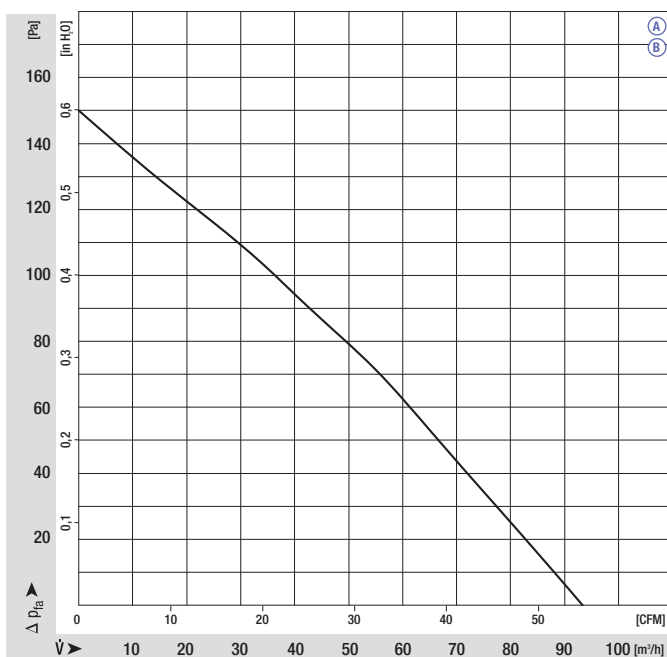
Nominal data		Curve	Nominal voltage	Nominal voltage range	Frequency	Air flow	Speed/rpm	Power input	Current draw	Capacitor	Sound pressure level	Perm. amb. temp.	Mass			
Type	Motor	VAC	VAC	Hz	m ³ /h	rpm	W	A	µF/VDB	dB(A)	°C	kg				
F2D 150-AB01-02	M2D 024-DF	A	400	380-500	Y	50	93	2650	26	0,07	---	54	-25..+70	2,9		
			400	380-575	Y	60	104	2950	28	0,06	---	57	-25..+70			
		B	230	220-290	Δ	50	93	2650	26	0,11	---	54	-25..+70	2,9		
			230	220-332	Δ	60	104	2950	28	0,10	---	57	-25..+70			
					230	220-277	⊥(Δ)	50	92	2600	26	0,13	1,5/400	54	-25..+70	2,9
					230	220-277	⊥(Δ)	60	100	2750	29	0,14	1,5/400	55	-25..+70	

subject to alterations

The technical data was measured with the end plate attached and an opening width of 24.7 cm²

⊥ (Δ) = Steinmetz connection

Curves



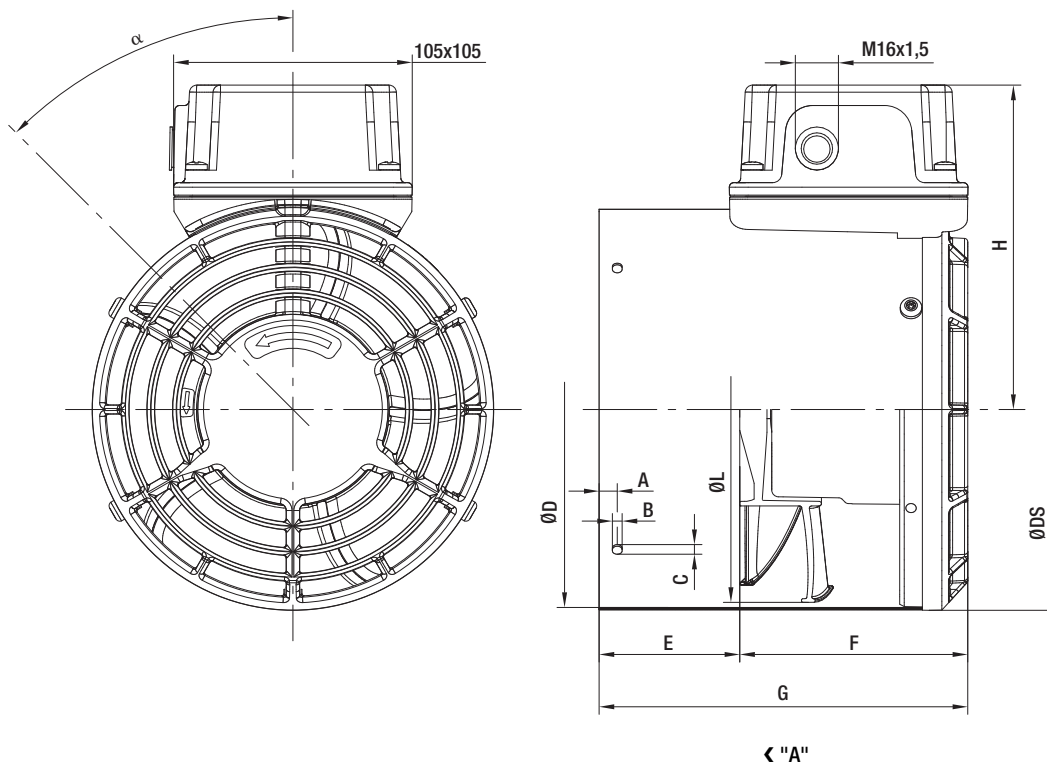
- **Motor protection:** Optional with connection for external TOP
- **Cable exit:** Via terminal box
- **Protection class:** I (as per EN 61800-5-1)
- **Product conforming to standards:** EN 60034
- **Approvals:** UL, CSA

Dimensions

(A)	(B)	(C)	(D)	(E)	F	(G)	H	L	DS	(α)
-----	-----	-----	-----	-----	---	-----	---	---	----	--------------

15	5,5	7	154	50	92,5	142,5	133	150	157	45
----	-----	---	-----	----	------	-------	-----	-----	-----	----

The dimensions in brackets can be modified by the customer.



AC fans for forced air ventilation

Ø 170 (AH90)



- **Material:**
Metal housing: electrolytically galvanised (Zincor)
Blades: PA plastic (all-plastic impeller)
Motor housing / guard grille: die-cast aluminium
- **Direction of air flow:** "A"
- **Direction of rotation:** Clockwise, viewed from front of impeller
- **Type of protection:** IP 66
- **Insulation class:** "F"
- **Mounting position:** Any
- **Mode of operation:** Continuous operation (S1)
- **Bearings:** Maintenance-free ball bearings

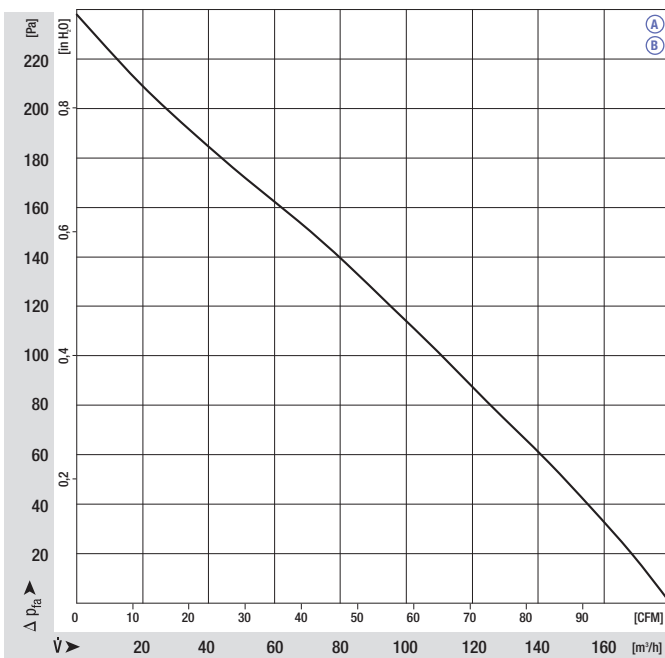
Nominal data		Curve	Nominal voltage	Nominal voltage range	Frequency	Air flow	Speed/rpm	Power input	Current draw	Capacitor	Sound pressure level	Perm. amb. temp.	Mass			
Type	Motor	VAC	VAC	Hz	m³/h	rpm	W	A	µF/VDB	dB(A)	°C	kg				
F2D 170-AA01-02	M2D 038-DA	A	400	380-500	Y	50	180	2900	42	0,13	---	61	-25..+70	3,2		
			400	380-575	Y	60	215	3420	50	0,12	---	65	-25..+70			
		B	230	220-290	Δ	50	180	2900	42	0,22	---	61	-25..+70	3,2		
			230	220-332	Δ	60	215	3420	50	0,20	---	65	-25..+70			
					230	220-277	⊥(Δ)	50	180	2900	40	0,22	2,5/400	61	-25..+70	3,2
					230	220-277	⊥(Δ)	60	215	3420	50	0,23	2,5/400	65	-25..+70	

subject to alterations

The technical data was measured with the end plate attached and an opening width of 41.5 cm²

⊥ (Δ) = Steinmetz connection

Curves



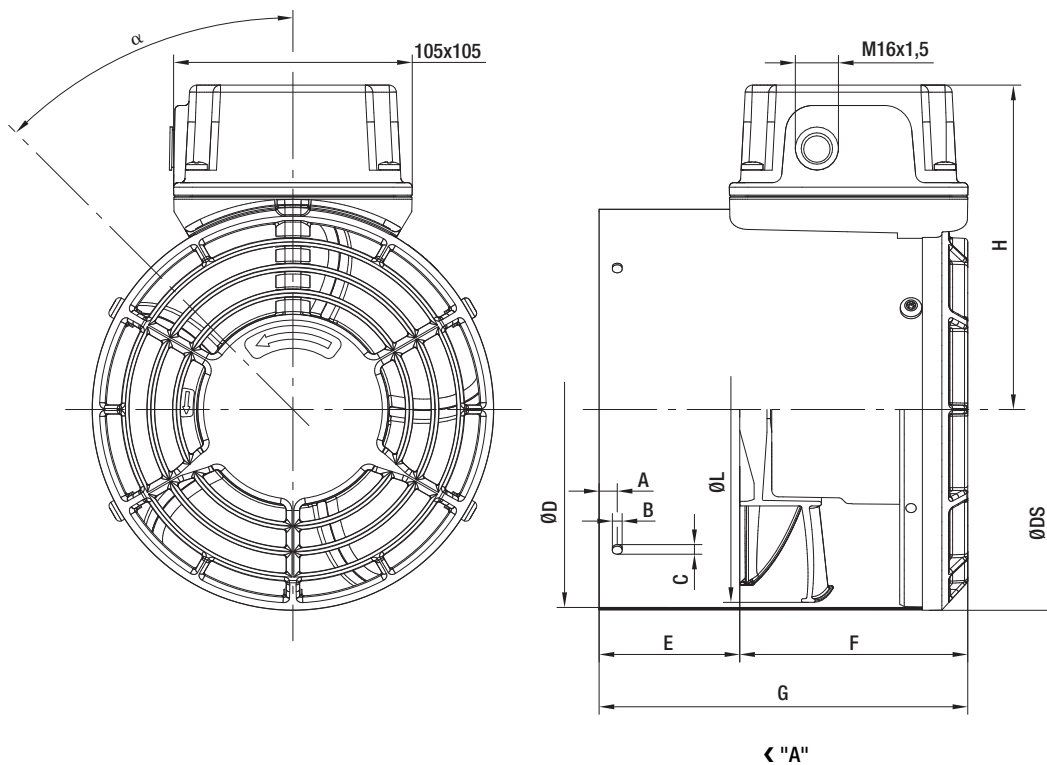
- **Motor protection:** Optional with connection for external TOP
- **Cable exit:** Via terminal box
- **Protection class:** I (as per EN 61800-5-1)
- **Product conforming to standards:** EN 60034
- **Approvals:** UL, CSA

Dimensions

(A)	(B)	(C)	(D)	(E)	F	(G)	H	L	DS	(α)
-----	-----	-----	-----	-----	---	-----	---	---	----	--------------

15	5,5	7	174	50	100,5	150,5	143	170	177	45
----	-----	---	-----	----	-------	-------	-----	-----	-----	----

The dimensions in brackets can be modified by the customer.



AC fans for forced air ventilation

Ø 185 (AH100)



- **Material:**
Metal housing: electrolytically galvanised (Zincor)
Blades: PA plastic (all-plastic impeller)
Motor housing / guard grille: die-cast aluminium
- **Direction of air flow:** "A"
- **Direction of rotation:** Clockwise, viewed from front of impeller
- **Type of protection:** IP 66
- **Insulation class:** "F"
- **Mounting position:** Any
- **Mode of operation:** Continuous operation (S1)
- **Bearings:** Maintenance-free ball bearings

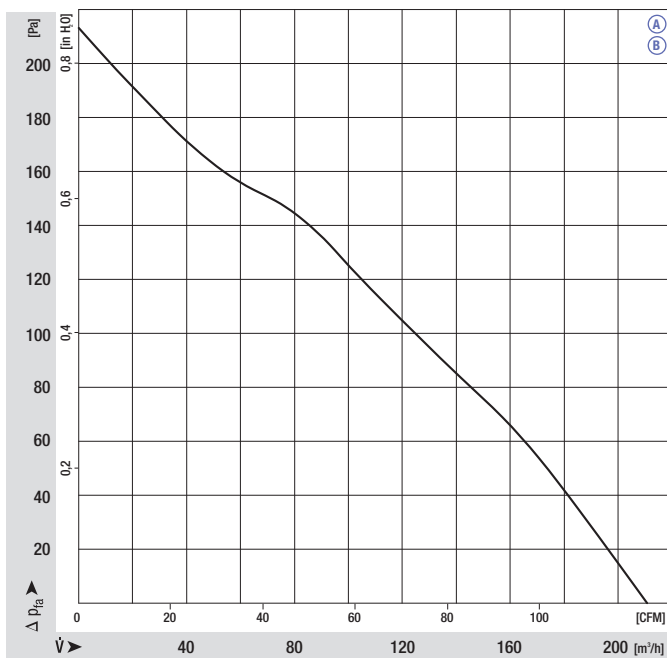
Nominal data		Curve	Nominal voltage	Nominal voltage range	Frequency	Air flow	Speed/rpm	Power input	Current draw	Capacitor	Sound pressure level	Perm. amb. temp.	Mass			
Type	Motor	VAC	VAC	Hz	m ³ /h	rpm	W	A	µF/VDB	dB(A)	°C	kg				
F2D 185-AA01-02	M2D 038-DA	A	400	380-500	Y	50	210	2880	50	0,14	---	62	-25..+70	3,5		
			400	380-575	Y	60	250	3330	65	0,13	---	66	-25..+70			
		B	230	220-290	Δ	50	210	2880	50	0,24	---	62	-25..+70	3,5		
			230	220-332	Δ	60	250	3330	65	0,23	---	66	-25..+70			
					230	220-277	⊥(Δ)	50	210	2860	48	0,25	2,5/400	62	-25..+70	3,5
					230	220-277	⊥(Δ)	60	245	3250	70	0,31	2,5/400	66	-25..+70	

subject to alterations

The technical data was measured with the end plate attached and an opening width of 44.8 cm²

⊥ (Δ) = Steinmetz connection

Curves



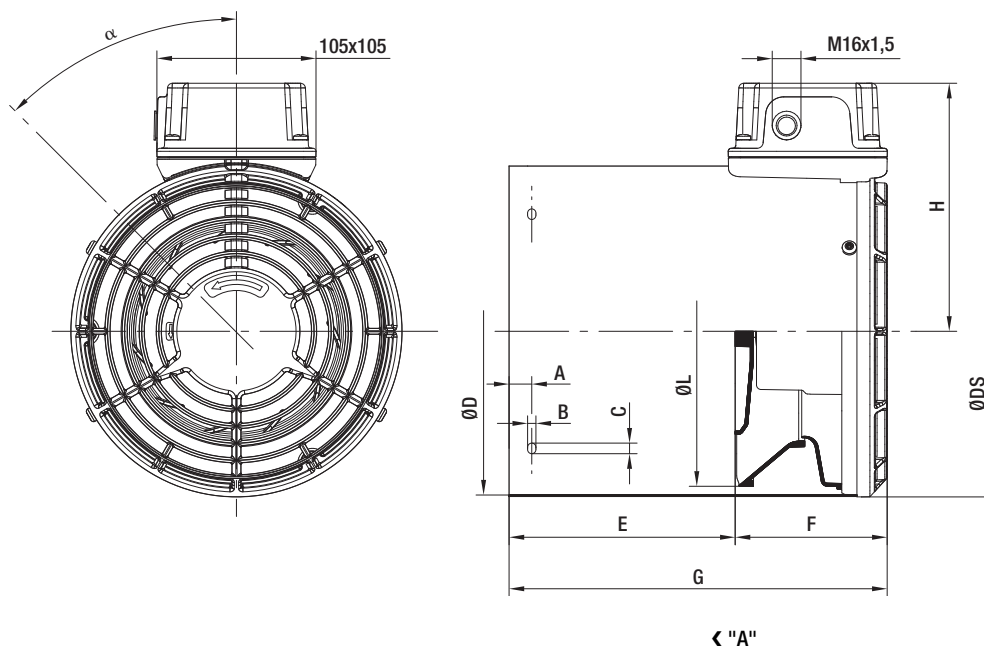
- **Motor protection:** Optional with connection for external TOP
- **Cable exit:** Via terminal box
- **Protection class:** I (as per EN 61800-5-1)
- **Product conforming to standards:** EN 60034
- **Approvals:** UL, CSA

Dimensions

(A)	(B)	(C)	(D)	(E)	F	(G)	H	L	DS	(α)
-----	-----	-----	-----	-----	---	-----	---	---	----	--------------

15	5,5	7	192	50	100,5	150,5	152	184	195	45
----	-----	---	-----	----	-------	-------	-----	-----	-----	----

The dimensions in brackets can be modified by the customer.



AC fans for forced air ventilation

Ø 205 (AH112)



- **Material:**
Metal housing: electrolytically galvanised (Zincor)
Blades: PA plastic (all-plastic impeller)
Motor housing / guard grille: die-cast aluminium
- **Direction of air flow:** "A"
- **Direction of rotation:** Clockwise, viewed from front of impeller
- **Type of protection:** IP 66
- **Insulation class:** "F"
- **Mounting position:** Any
- **Mode of operation:** Continuous operation (S1)
- **Bearings:** Maintenance-free ball bearings

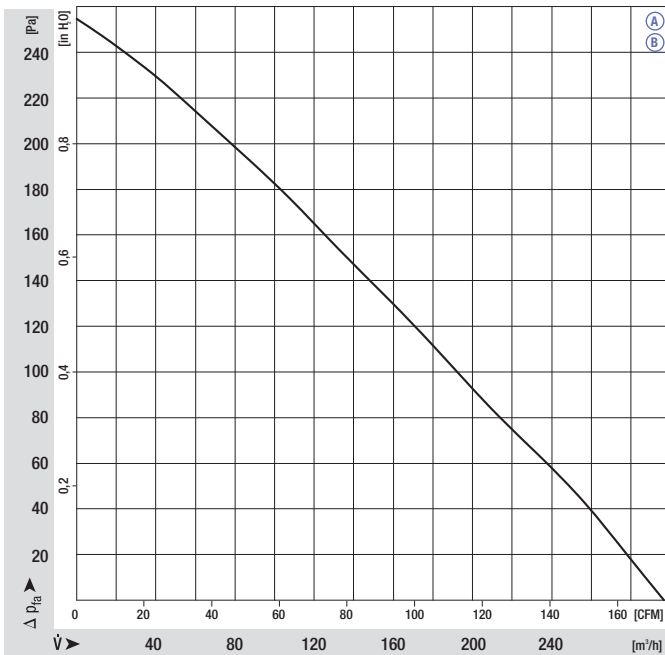
Nominal data		Curve	Nominal voltage	Nominal voltage range	Frequency	Air flow	Speed/rpm	Power input	Current draw	Capacitor	Sound pressure level	Perm. amb. temp.	Mass			
Type	Motor	VAC	VAC	Hz	m³/h	rpm	W	A	µF/VDB	dB(A)	°C	kg				
F2D 205-AA01-02	M2D 038-DA	A	400	380-500	Y	50	295	2830	56	0,14	---	63	-25..+70	3,8		
			400	380-575	Y	60	340	3250	75	0,14	---	66	-25..+70			
		B	230	220-290	Δ	50	295	2830	56	0,24	---	63	-25..+70	3,8		
			230	220-332	Δ	60	340	3250	75	0,24	---	66	-25..+70			
					230	220-277	⊥(Δ)	50	295	2820	55	0,26	3,0/400	63	-25..+70	3,8
					230	220-277	⊥(Δ)	60	330	3150	80	0,35	3,0/400	65	-25..+70	

subject to alterations

The technical data was measured with the end plate attached and an opening width of 61.6 cm²

⊥ (Δ) = Steinmetz connection

Curves



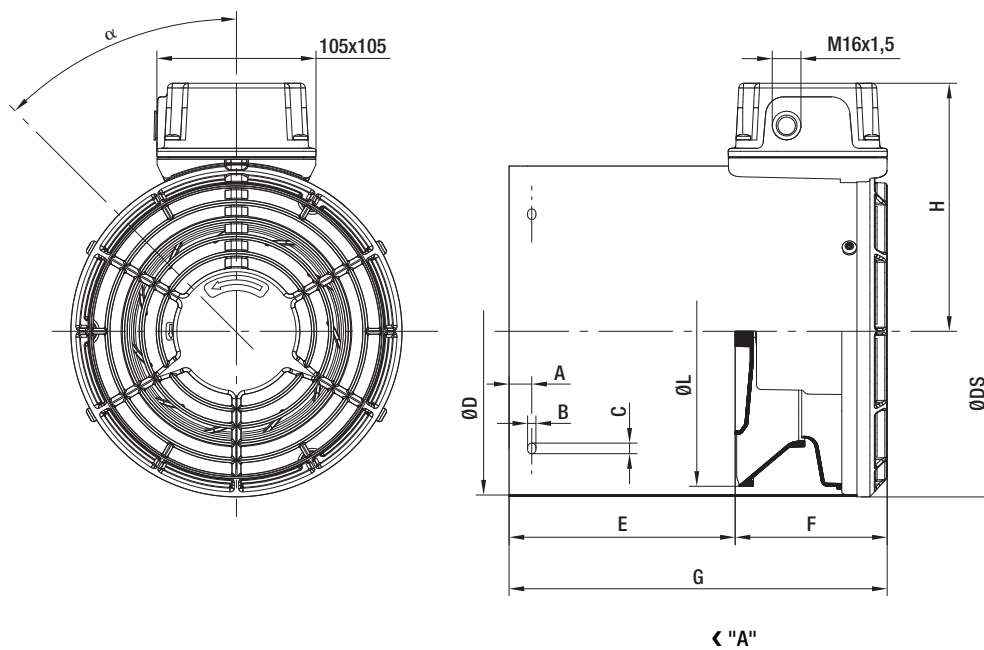
- **Motor protection:** Optional with connection for external TOP
- **Cable exit:** Via terminal box
- **Protection class:** I (as per EN 61800-5-1)
- **Product conforming to standards:** EN 60034
- **Approvals:** UL, CSA

Dimensions

(A)	(B)	(C)	(D)	(E)	F	(G)	H	L	DS	(α)
-----	-----	-----	-----	-----	---	-----	---	---	----	--------------

15	5,5	7	216	50	100,5	150,5	164	204	219	45
----	-----	---	-----	----	-------	-------	-----	-----	-----	----

The dimensions in brackets can be modified by the customer.



AC fans for forced air ventilation

Ø 230 (AH132)



- **Material:**
Metal housing: electrolytically galvanised (Zincor)
Blades: PA plastic (all-plastic impeller)
Motor housing / guard grille: die-cast aluminium
- **Direction of air flow:** "A"
- **Direction of rotation:** Clockwise, viewed from front of impeller
- **Type of protection:** IP 66
- **Insulation class:** "F"
- **Mounting position:** Any
- **Mode of operation:** Continuous operation (S1)
- **Bearings:** Maintenance-free ball bearings

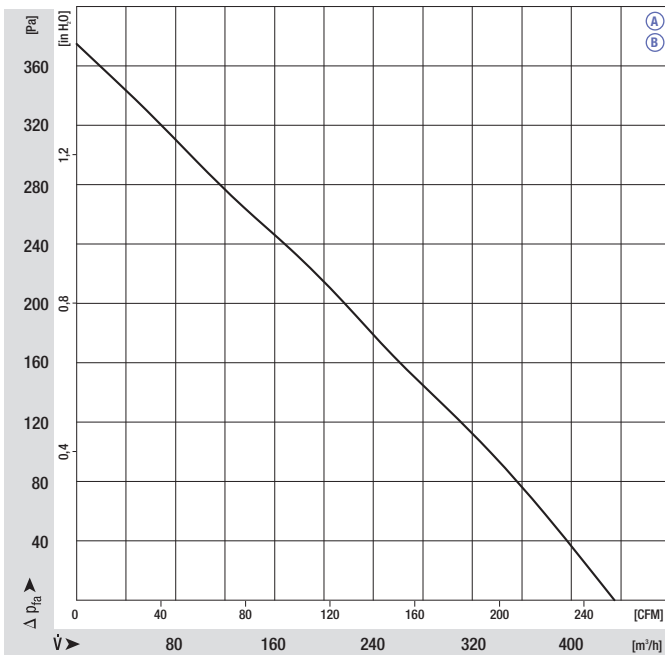
Nominal data		Curve	Nominal voltage	Nominal voltage range	Frequency	Air flow	Speed/rpm	Power input	Current draw	Capacitor	Sound pressure level	Perm. amb. temp.	Mass	
Type	Motor	VAC	VAC	Hz	m³/h	rpm	W	A	µF/VDB	dB(A)	°C	kg		
F2D 230-AA01-02	M2D 047-DA	A	400	380-575	Y	50	435	2720	105	0,19	---	65	-25..+70	4,5
			400	380-575	Y	60	475	2970	155	0,26	---	67	-25..+70	
		B	230	220-332	Δ	50	435	2720	105	0,32	---	65	-25..+70	4,5
			230	220-332	Δ	60	475	2970	155	0,43	---	67	-25..+70	
			230	220-332	Δ (Δ)	50	425	2650	110	0,48	5,0/400	64	-25..+70	4,5
						60	360	2300	150	0,68	5,0/400	62	-25..+60	

subject to alterations

The technical data was measured with the end plate attached and an opening width of 75 cm²

Δ (Δ) = Steinmetz connection

Curves



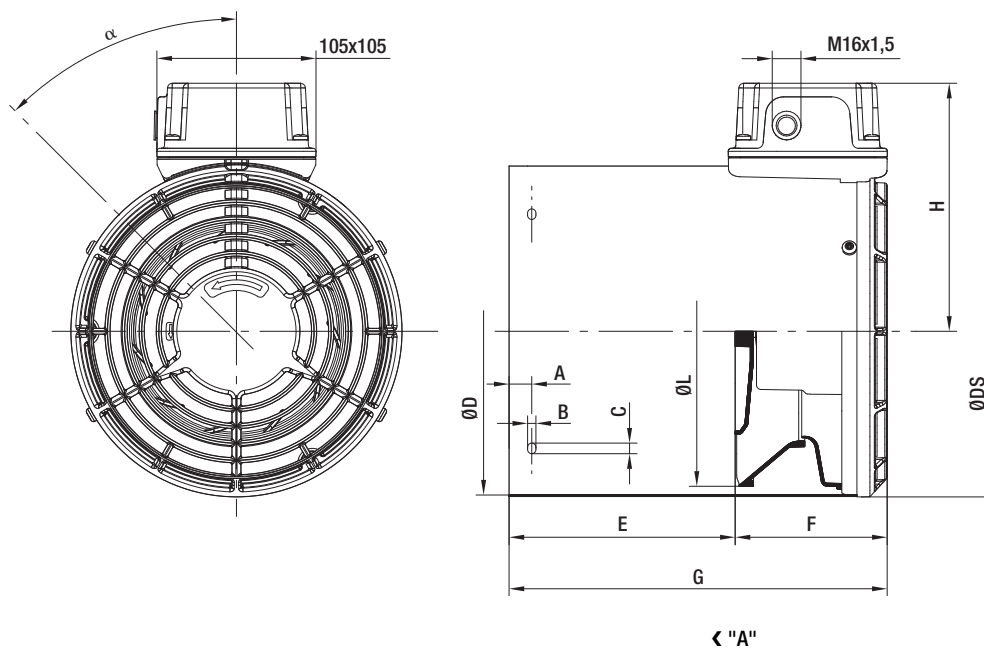
- **Motor protection:** Optional with connection for external TOP
- **Cable exit:** Via terminal box
- **Protection class:** I (as per EN 61800-5-1)
- **Product conforming to standards:** EN 60034
- **Approvals:** UL, CSA

Dimensions

(A)	(B)	(C)	(D)	(E)	F	(G)	H	L	DS	(α)
-----	-----	-----	-----	-----	---	-----	---	---	----	--------------

15	5,5	7	255	50	112	162	184	230	258	45
----	-----	---	-----	----	-----	-----	-----	-----	-----	----

The dimensions in brackets can be modified by the customer.



AC fans for forced air ventilation

Ø 270 (AH160)



- **Material:**
Metal housing: electrolytically galvanised (Zincor)
Blades: PA plastic (all-plastic impeller)
Motor housing / guard grille: die-cast aluminium
- **Direction of air flow:** "A"
- **Direction of rotation:** Clockwise, viewed from front of impeller
- **Type of protection:** IP 66
- **Insulation class:** "F"
- **Mounting position:** Any
- **Mode of operation:** Continuous operation (S1)
- **Bearings:** Maintenance-free ball bearings

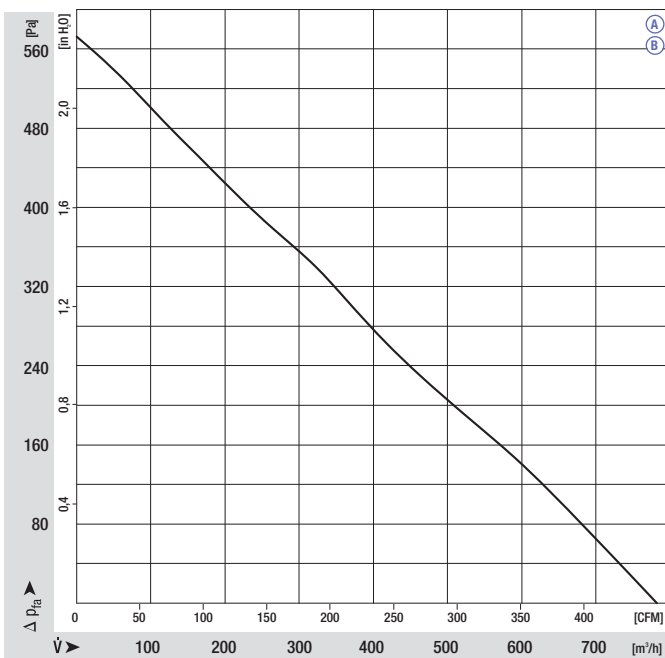
Nominal data		Curve	Nominal voltage	Nominal voltage range	Frequency	Air flow	Speed/rpm	Power input	Current draw	Capacitor	Sound pressure level	Perm. amb. temp.	Mass	
Type	Motor	VAC	VAC	Hz	m³/h	rpm	W	A	µF/VDB	dB(A)	°C	kg		
F2D 270-AA01-02	M2D 047-GA	A	400	380-575	Y	50	780	220	0,38	---	70	-25..+70	5,5	
			400	380-575	Y	60	860	3000	330	0,55	---	73		-25..+70
		B	230	220-332	Δ	50	780	2750	220	0,65	---	70	-25..+70	5,5
			230	220-332	Δ	60	860	3000	330	0,92	---	73	-25..+70	
			230	220-332	⊥(Δ)	50	755	2630	240	1,05	10,0/400	70	-25..+70	5,5

subject to alterations

The technical data was measured with the end plate attached and an opening width of 106.8 cm²

⊥(Δ) = Steinmetz connection

Curves

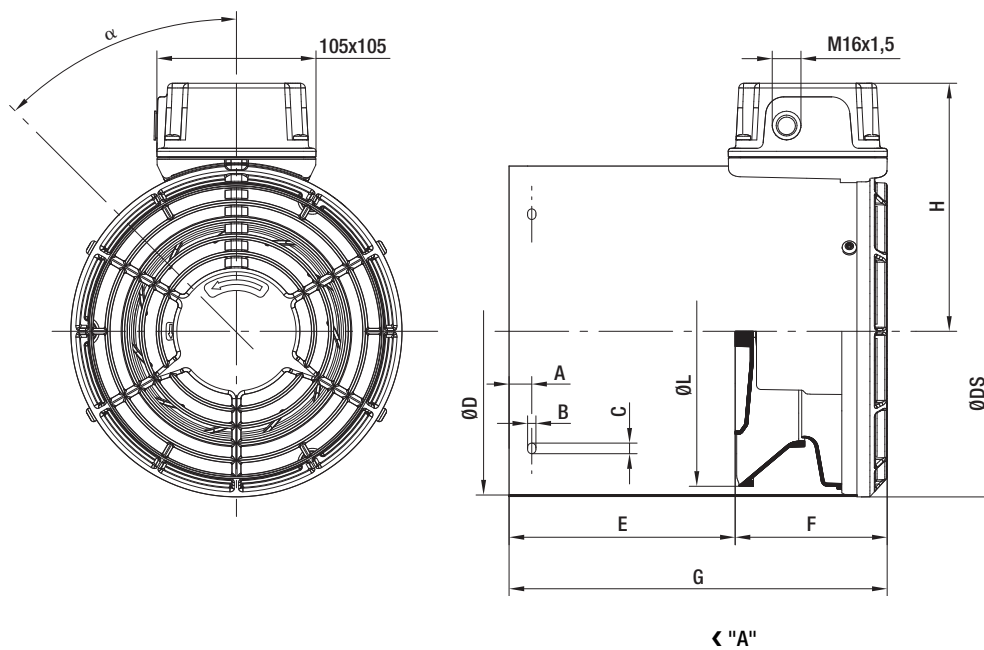


- **Motor protection:** Optional with connection for external TOP
- **Cable exit:** Via terminal box
- **Protection class:** I (as per EN 61800-5-1)
- **Product conforming to standards:** EN 60034
- **Approvals:** UL, CSA

Dimensions

(A)	(B)	(C)	(D)	(E)	F	(G)	H	L	DS	(α)
15	5,5	7	307	50	140	190	211	270	310	45

The dimensions in brackets can be modified by the customer.



AC fans for forced air ventilation

Ø 270 (AH180)



- **Material:**
Metal housing: electrolytically galvanised (Zincor)
Blades: PA plastic (all-plastic impeller)
Motor housing / guard grille: die-cast aluminium
- **Direction of air flow:** "A"
- **Direction of rotation:** Clockwise, viewed from front of impeller
- **Type of protection:** IP 66
- **Insulation class:** "F"
- **Mounting position:** Any
- **Mode of operation:** Continuous operation (S1)
- **Bearings:** Maintenance-free ball bearings

Nominal data

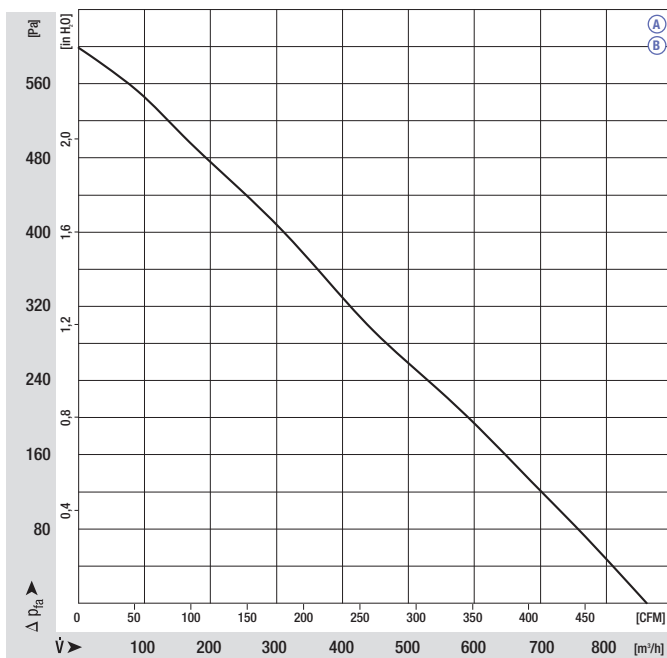
Type	Motor	Curve	Nominal voltage VAC	Nominal voltage range VAC	Frequency Hz	Air flow m³/h	Speed/rpm	Power input W	Current draw A	Capacitor µF/VDB	Sound pressure level dB(A)	Perm. amb. temp. °C	Mass kg	
F2D 270-AA01-03	M2D 047-GA	A	400	380-575	Y	50	855	2750	220	0,38	---	71	-25..+70	5,5
			400	380-575	Y	60	935	3000	330	0,55	---	73	-25..+70	
		B	230	220-332	Δ	50	855	2750	220	0,65	---	71	-25..+70	5,5
			230	220-332	Δ	60	935	3000	330	0,92	---	73	-25..+70	
			230	220-332	⊥(Δ)	50	820	2630	240	1,05	10,0/400	70	-25..+70	5,5

subject to alterations

The technical data was measured with the end plate attached and an opening width of 118.2 cm²

⊥(Δ) = Steinmetz connection

Curves

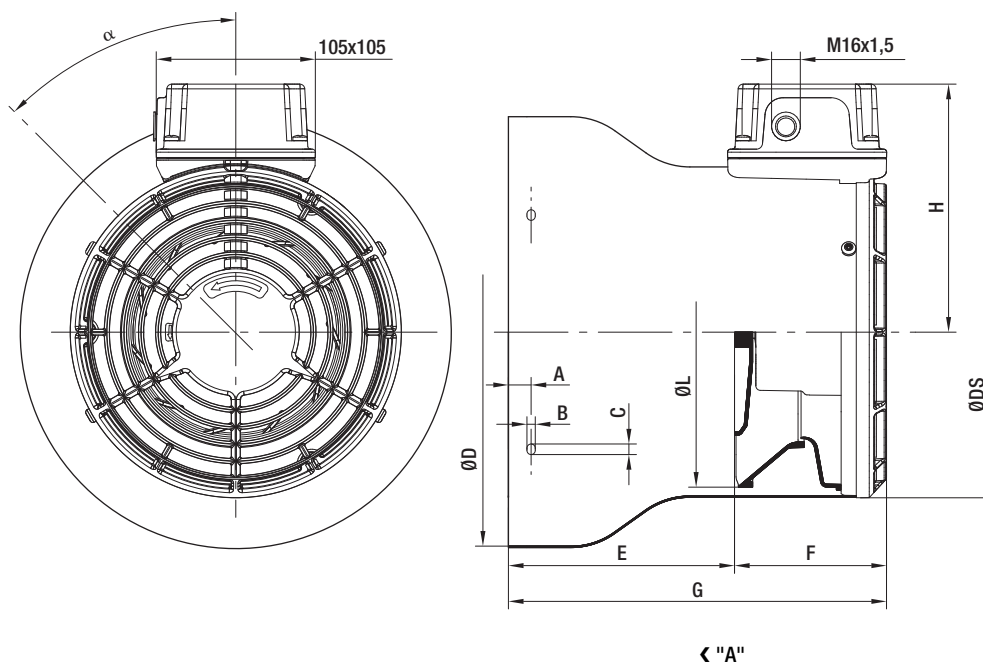


- **Motor protection:** Optional with connection for external TOP
- **Cable exit:** Via terminal box
- **Protection class:** I (as per EN 61800-5-1)
- **Product conforming to standards:** EN 60034
- **Approvals:** UL, CSA

Dimensions

(A)	(B)	(C)	(D)	(E)	F	(G)	H	L	DS	(α)
15	5,5	7	346	200	140	340	211	270	310	45

The dimensions in brackets can be modified by the customer.



AC fans for forced air ventilation

Ø 270 (AH200)



- **Material:**
Metal housing: electrolytically galvanised (Zincor)
Blades: PA plastic (all-plastic impeller)
Motor housing / guard grille: die-cast aluminium
- **Direction of air flow:** "A"
- **Direction of rotation:** Clockwise, viewed from front of impeller
- **Type of protection:** IP 66
- **Insulation class:** "F"
- **Mounting position:** Any
- **Mode of operation:** Continuous operation (S1)
- **Bearings:** Maintenance-free ball bearings

Nominal data

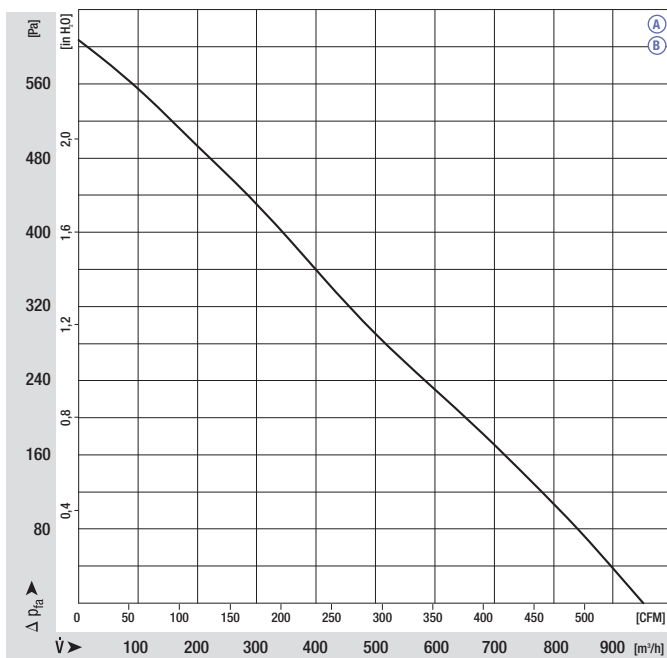
Type	Motor	Curve	Nominal voltage VAC	Nominal voltage range VAC	Frequency Hz	Air flow m³/h	Speed/rpm	Power input W	Current draw A	Capacitor µF/VDB	Sound pressure level dB(A)	Perm. amb. temp. °C	Mass kg	
F2D 270-AA01-04	M2D 047-GA	A	400	380-575	Y	50	955	2750	220	0,38	---	71	-25..+70	5,5
			400	380-575	Y	60	1045	3000	330	0,55	---	73	-25..+70	
		B	230	220-332	Δ	50	955	2750	220	0,65	---	71	-25..+70	5,5
			230	220-332	Δ	60	1045	3000	330	0,92	---	73	-25..+70	
			230	220-332	⊥(Δ)	50	920	2630	240	1,05	10,0/400	70	-25..+70	5,5

subject to alterations

The technical data was measured with the end plate attached and an opening width of 136.8 cm²

⊥(Δ) = Steinmetz connection

Curves

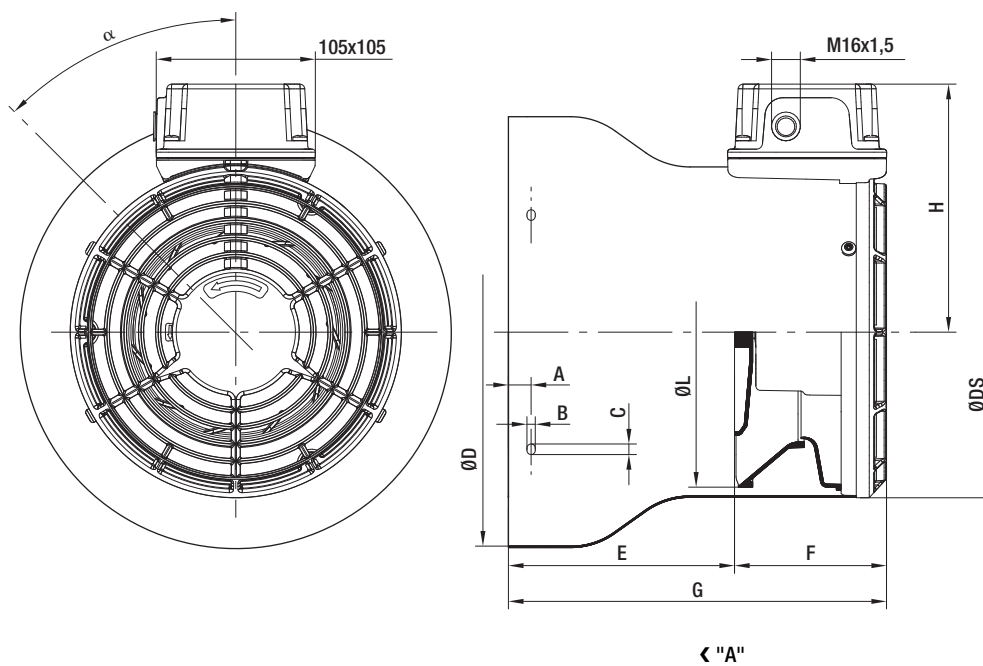


- **Motor protection:** Optional with connection for external TOP
- **Cable exit:** Via terminal box
- **Protection class:** I (as per EN 61800-5-1)
- **Product conforming to standards:** EN 60034
- **Approvals:** UL, CSA

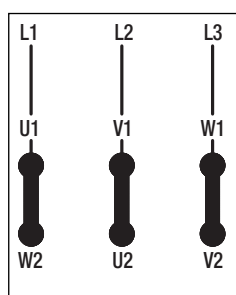
Dimensions

(A)	(B)	(C)	(D)	(E)	F	(G)	H	L	DS	(α)
15	5,5	7	384	200	140	340	211	270	310	45

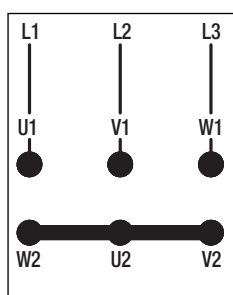
The dimensions in brackets can be modified by the customer.



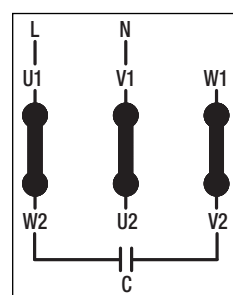
Delta connection Δ
(3~ 230 VAC power line)



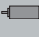



Star connection Y
(3~ 400 VAC power line)



Steinmetz connection $\perp(\Delta)$
(1~ 230 VAC power line)



-  fan agent
-  compact fan agent
-  motor specialist
-  motor agent

ebm-papst representatives & subsidiaries

Germany

ebm-papst Muldingen GmbH & Co. KG

Bachmühle 2
D-74673 Muldingen
Phone +49 7938 81-0
Fax +49 7938 81-110
info1@de.ebmpapst.com

www.ebmpapst.com

ebm-papst St. Georgen GmbH & Co. KG

Hermann-Papst-Straße 1
D-78112 St. Georgen
Phone +49 7724 81-0
Fax +49 7724 81-1309
info2@de.ebmpapst.com

www.ebmpapst.com

ebm-papst Landshut GmbH

Hofmark-Aich-Straße 25
D-84030 Landshut
Phone +49 871 707-0
Fax +49 871 707-465
info3@de.ebmpapst.com

www.ebmpapst.com

Agencies

-  **Berlin**
 Dipl.-Ing. (TH) Jens Duchow
 Händelstraße 7
D-16341 Panketal
Phone +49 30 944149-62
Fax +49 30 944149-63
Jens.Duchow@de.ebmpapst.com
-  **Bielefeld**
 Dipl.-Ing. (FH) Wolf-Jürgen Weber
 Niehausweg 13
D-33739 Bielefeld
Phone +49 5206 91732-31
Fax +49 5206 91732-35
Wolf-Juergen.Weber@de.ebmpapst.com
-  **Dortmund**
 Dipl.-Ing. (FH) Hans-Joachim Pundt
 Auf den Steinern 3
D-59519 Möhnesee-Völlinghausen
Phone +49 2925 800-407
Fax +49 2925 800-408
Hans-Joachim.Pundt@de.ebmpapst.com
-  **Frankfurt**
 Dipl.-Ing. Christian Kleffmann
 Dr.-Hermann-Krause-Straße 23
D-63452 Hanau
Phone +49 6181 1898-12
Fax +49 6181 1898-13
Christian.Kleffmann@de.ebmpapst.com
-  **Halle**
 Dipl.-Ing. (TU) Michael Hanning
 Lerchenweg 4
D-06120 Lieskau
Phone +49 345 55124-56
Fax +49 345 55124-57
Michael.Hanning@de.ebmpapst.com
-  **Hamburg**
 Ingenieurbüro Breuell GmbH
 Ing. Dirk Kahl
Elektroingenieur
Grützmühlenweg 40
D-22339 Hamburg
Phone +49 40 538092-19
Fax +49 40 538092-84
Dirk.Kahl@de.ebmpapst.com



-  **Kassel**
 Dipl.-Ing. (FH) Ralph Brück
 Hoherainstraße 38
D-35075 Gladenbach
Phone +49 6462 4071-10
Fax +49 6462 4071-11
Ralph.Brueck@de.ebmpapst.com
-  **Koblenz**
 Winfried Schaefer
 Hinter der Kirch 10
D-56767 Uersfeld
Phone +49 2657 16-96
Fax +49 2657 16-76
Winfried.Schaefer@de.ebmpapst.com
-  **Munich**
 Dipl.-Wirtsch.-Ing. (FH) Jens Peter
 Steinbergweg 6
D-82285 Hattenhofen
Phone +49 8145 8092-25
Fax +49 8145 8092-26
Jens.Peter@de.ebmpapst.com
-  **Nuremberg**
 Friedrich Klein
 Adlerstraße 49/1
D-73540 Heubach
Phone +49 7173 4983
Fax +49 7173 8053
Friedrich.Klein@de.ebmpapst.com
-  **Offenburg**
 Dipl.-Ing. (FH) Ralf Braun
 Hubeneck 21
D-77704 Oberkirch
Phone +49 7802 9822-52
Fax +49 7802 9822-53
Ralf.Braun@de.ebmpapst.com
-  **Stuttgart**
 Dipl.-Ing. (FH) Rudi Weinmann
 Hindenburgstraße 100/1
D-73207 Plochingen
Phone +49 7153 9289-80
Fax +49 7153 9289-81
Rudi.Weinmann@de.ebmpapst.com
-  **Ulm**
 Dipl.-Wirt.-Ing. (FH) Axel Resch
 Bachmühle 2
D-74673 Muldingen
Phone +49 7938 81-7092
Fax +49 7938 81-110
Axel.Resch@de.ebmpapst.com

Distributors

-  **Frankfurt**
 R.E.D. Handelsgesellschaft mbH
 Gutenbergstraße 3
D-63110 Rodgau - Jügesheim
Phone +49 6106 841-0
Fax +49 6106 841-111
info@red-elektromechanik.de
www.red-elektromechanik.de
-  **Hamburg**
 Breuell + Hilgenfeldt GmbH
 Grützmühlenweg 40
D-22339 Hamburg
Phone +49 40 538092-20
Fax +49 40 538092-84
info@breuell-hilgenfeldt.de
-  **Munich**
 A. Schweiger GmbH
 Ohmstraße 1
D-82054 Sauerlach
Phone +49 8104 897-0
Fax +49 8104 897-90
info@schweiger-gmbh.de
www.schweiger-gmbh.com
-  **Express Service-Center** (1 to 5 pieces)
-  **North**
 Breuell + Hilgenfeldt GmbH
 Grützmühlenweg 40
D-22339 Hamburg
Phone +49 40 538092-20
Fax +49 40 538092-84
ebmpapst@breuell-hilgenfeldt.de
-  **South**
 HDS Ventilatoren Vertriebs GmbH
 Glaswiesenstraße 1
D-74677 Dörzbach
Phone +49 7937 802968
Fax +49 7937 802578
info@hds-gmbh.net

Europe

 **Austria**
 ebm-papst Motoren & Ventilatoren GmbH
 Straubingstraße 17
A-4030 Linz
Phone +43 732 321150
Fax +43 732 321150-20
info@at.ebmpapst.com
www.ebmpapst.at

 **Belarus**
 ebm-papst Bel AgmbH
 P.O. Box 117
BY-220138 Minsk
Phone +375 17 3851556
Fax +375 17 3851556
info@by.ebmpapst.com
www.ebmpapst.by

 **Belgium**
 VIBO Benelux B. V.
 Sales office Belgium-Luxemburg
Romeinsestraat 6/0101
Research Park Haasrode
B-3001 Heverlee-Leuven
Phone +32 16 396-200
Fax +32 16 396-220
info@vibobenelux.com
www.vibobenelux.com

 **Bulgaria**
 ebm-papst Romania S.R.L.
 Str. Tirnavei Nr. 20
RO-500327 Brasov
Phone +40 268 312-805
Fax +40 268 312-805
dudasludovic@xnet.ro

 **Croatia**
 ebm-papst Industries Kft.
 Ezred u. 2.
H-1044 Budapest
Phone +36 1 8722-190
Fax +36 1 8722-194
office@hu.ebmpapst.com
www.ebmpapst.hu

 **Cyprus**
 MATERO LTD
 37, St. Kyriakides Avenue
P.O. Box 51744
CY-3080 Limassol
Phone +357 25 870030
Fax +357 25 381366
matero@cytanet.com.cy
www.matero.com.cy

 **Czech Republic / Slovakia**
 ebm-papst CZ s.r.o.
 Krátká 379
CZ-66461 Rajhradice u Brna
Phone +420 547 232-617
Fax +420 547 232-622
info@ebmpapst.cz
www.ebmpapst.cz

 **Denmark**
 ebm-papst Denmark ApS
 Vallensbækvej 21
DK-2605 Brøndby
Phone +45 43 631111
Fax +45 43 630505
mail@dk.ebmpapst.com
www.ebmpapst.dk

 **Estonia**
 ebm-papst Oy Eesti Filiaal
 Kadaka tee 3
EST-10621 Tallinn
Phone +372 65569-78
Fax +372 65569-79
www.ebmpapst.ee

 **Finland**
 ebm-papst Oy
 Puistotie 1
FIN-02760 Espoo
Phone +358 9 887022-0
Fax +358 9 887022-13
mailbox@ebmpapst.fi
www.ebmpapst.fi

 **France**
 ebm-papst SARL
 ZI Nord - rue A. Mohler
BP 62
F-67212 Obernai-Cedex
Phone +33 820 326266
Fax +33 3 88673883
info@ebmpapst.fr
www.ebmpapst.fr

 **Greece**
 Helcoma
 Th. Rotas & Co OE
Davaki 65
GR-17672 Kallithea-Attiki
Phone +30 210 9513-705
Fax +30 210 9513-490
contact@helcoma.gr
www.helcoma.gr





 **Hungary**
 ebm-papst Industries Kft.
 Ezred u. 2.
H-1044 Budapest
Phone +36 1 8722-190
Fax +36 1 8722-194
office@hu.ebmpapst.com
www.ebmpapst.hu

 **Iceland**
 RJ Engineers
 Stangarhyl 1A
IS-110 Reykjavik
Phone +354 567 8030
Fax +354 567 8015
rj@rj.is
www.rj.is

 **Ireland**
 ebm-papst Limited
 Portlaoise Business & Technology Park
Mountrath Road
IRL-Portlaoise, Co. Laois
Phone +353 5786 643-43
Fax +353 5786 643-46
sales@ie.ebmpapst.com
www.ebmpapst.ie

 **Italy**
 ebm-papst Srl
 Via Cornaggia 108
I-22076 Mozzate (Co)
Phone +39 0331 836201
Fax +39 0331 821510
info@it.ebmpapst.com
www.ebmpapst.it

 **Macedonia**
 ebm-papst Industries Kft.
 Ezred u. 2.
H-1044 Budapest
Phone +36 1 8722-190
Fax +36 1 8722-194
office@hu.ebmpapst.com
www.ebmpapst.hu

-  fan agent
-  compact fan agent
-  motor specialist
-  motor agent

ebm-papst representatives & subsidiaries

 **Netherlands**
 VIBO Benelux B. V.
 Engelseweg 127
 Postbus 230
 NL-5705 AC Helmond
 Phone +31 492 502-900
 Fax +31 492 502-950
verkoop@vibobenelux.com
www.vibobenelux.com

 **Norway**
 ebm-papst AS
 P.B. 173 Holmlia
 N-1203 Oslo
 Phone +47 22 763340
 Fax +47 22 619173
mailbox@ebmpapst.no
www.ebmpapst.no

 **Poland**
 ebm-papst Polska Sp. z o.o.
 ul. Annopol 4A
 PL-03236 Warszawa
 Phone +48 22 6757819
 Fax +48 22 6769587
office@ebmpapst.pl
www.ebmpapst.pl

 **Portugal**
 ebm-papst (Portugal), Lda.
 Av. Marechal Gomes da Costa, 35 e
 Rua Conselheiro Emidio Navarro
 P-1800-255 Lisboa
 Phone +351 218 394-880
 Fax +351 218 394-759
info@pt.ebmpapst.com
www.ebmpapst.pt

 **Romania**
 ebm-papst Romania S.R.L.
 Str. Tirnavei Nr. 20
 RO-500327 Brasov
 Phone +40 268 312-805
 Fax +40 268 312-805
dudasludovic@xnet.ro

 **Russia**
 ebm-papst Ural GmbH
 Posadskaja-Strasse, 23(E), 3
 RU-620102 Ekaterinburg
 Phone +7 343 2338000
 Fax +7 343 2337788
Konstantin.Molokov@ru.ebmpapst.com
www.ebmpapst.ur.ru

 ebm-papst Rus GmbH
 Nizhegorodskaya 32, str. 15 office 420
 RU-109029 Moskau
 Phone +7 495 9807524
 Fax +7 495 6715395
info@ebmpapst.ru
www.ebmpapst.ru




 **Serbia & Montenegro**
 ebm-papst Industries Kft.
 Ezred u. 2.
 H-1044 Budapest
 Phone +36 1 8722-190
 Fax +36 1 8722-194
office@hu.ebmpapst.com
www.ebmpapst.hu

 **Spain**
 ebm-papst Ibérica S.L.
 Avda. del Sistema Solar, 29
 E-28830 San Fernando de Henares (Madrid)
 Phone +34 91 6780894
 Fax +34 91 6781530
ventas@ebmpapst.es

 **Sweden**
 ebm-papst AB
 Äggelundavägen 2
 S-17562 Järfälla
 Phone +46 8 7619400
 Fax +46 8 362306
info@ebmpapst.se
www.ebmpapst.se

 **Switzerland**
 ebm-papst AG
 Rütisbergstrasse 1
 CH-8156 Oberhasli
 Phone +41 44 73220-70
 Fax +41 44 73220-77
verkauf@ebmpapst.ch
www.ebmpapst.ch

 **Turkey**
 Akantel Elektronik San. Tic. LTD. Sti.
 Atatürk Organize Sanayi
 Bölgesi 10007 SK. No.:6
 TR-35620 Cigli-Izmir
 Phone +90 232 3282090
 Fax +90 232 3280270
akantel@akantel.com.tr
www.ebmpapst.com.tr

 **Ukraine**
 ebm-papst Ukraine LLC
 Lapse Boulevard, 4, Building 47
 UA-03067 Kiev
 Phone +38 044 2063091
 Fax +38 044 2063091
mail@ebmpapst.ua
www.ebmpapst.ua

 **United Kingdom**
 ebm-papst UK Ltd.
 Chelmsford Business Park
 GB-Chelmsford Essex CM2 5EZ
 Phone +44 1245 468555
 Fax +44 1245 466336
sales@uk.ebmpapst.com
www.ebmpapst.co.uk

 ebm-papst Automotive & Drives (UK) Ltd.
 The Smithy
 Fidlers Lane, East Ilsley
 GB-Berkshire RG20 7LG
 Phone +44 1635 2811-11
 Fax +44 1635 2811-61
A&Dsales@uk.ebmpapst.com
www.ebmpapst-ad.com

America



Argentina



ebm-papst de Argentina S.A.
Hernandarias 148 Lomas del Mirador
Pcia. de Buenos Aires (1752)
Phone +54 11 46576135
Fax +54 11 46572092
ventas@ar.ebmpapst.com
www.ebmpapst.com.ar



Brasil



ebm-papst Motores Ventiladores Ltda.
Av. José Giorgi, 301 Galpões B6+B7
Condominio Logical Center
BR-06707-100 Cotia - São Paulo
Phone +55 11 3164-8900
Fax +55 11 3164-8924
vendas@br.ebmpapst.com
www.ebmpapst.com.br



Canada



ebm-papst Canada Inc.
1800 Ironstone Manor, Unit 2
CDN-Pickering, Ontario, L1W3J9
Phone +1 905 420-3533
Fax +1 905 420-3772
sales@ca.ebmpapst.com
www.ebmpapst.ca



Mexico



ebm Industrial S.de R.L. de C.V.
Paseo de Tamarindos 400-A-5º Piso
Col. Bosques de las Lomas
MEX-Mexico 05120, D.F.
Phone +52 55 3300-5144
Fax +52 55 3300-5243
sales@mx.ebmpapst.com
www.ebmpapst.com.mx

USA



ebm-papst Inc.
P.O. Box 4009
100 Hyde Road
USA-Farmington, CT 06034
Phone +1 860 674-1515
Fax +1 860 674-8536
sales@us.ebmpapst.com
www.ebmpapst.us



ebm-papst Automotive & Drives, Inc.
3200 Greenfield, Suite 255
USA-Dearborn, MI 48120
Phone +1 313 406-8080
Fax +1 313 406-8081
automotive@us.ebmpapst.com
www.ebmpapst-automotive.us



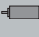

Africa



South Africa



ebm-papst South Africa (Pty) Ltd.
P.O. Box 3124
1119 Yacht Avenue
ZA-2040 Honeydew
Phone +27 11 794-3434
Fax +27 11 794-5020
info@za.ebmpapst.com
www.ebmpapst.co.za

-  fan agent
-  compact fan agent
-  motor specialist
-  motor agent

ebm-papst representatives & subsidiaries

Asia

 **China**
 ebm-papst Ventilator (Shanghai) Co., Ltd.
 No. 418, Huajing Road
 WaiGaoQiao Free Trade Zone
 No. 2001, Yang Gao (N) Road
 VRC-200131 Shanghai, P.R. of China
 Phone +86 21 5046-0183
 Fax +86 21 5046-1119
 sales@cn.ebmpapst.com
 www.ebmpapst.com.cn

 **Hong Kong**
 ebm-papst Ventilator (Shanghai) Co., Ltd.
 Hong Kong Representative Office
 Unit Nos. 13-15, 9/F, Technology Park
 18 On Lai Street, Siu Lek Yuen, Shatin,
 N.T. Hong Kong P.R. of China
 Phone +852 2145-8678
 Fax +852 2145-7678
 info@hk.ebmpapst.com

 **India**
 ebm NADI International Pvt Ltd.
 26/3, G.N.T. Road, Erukkencherry
 IND-Chennai-600118
 Phone +91 44 25372556
 Fax +91 44 25371149
 ebmnadi@md2.vsnl.net.in
 www.ebmnadi.com

 **Indonesia**
 ebm-papst Indonesia
 Wisma Slipi Building 14th Floor, No. 1410
 Jl. Letjend S. Parman Kav. 12
 RI-Jakarta Barat 11480
 Phone +62 21 536619-01
 Fax +62 21 536619-05
 salesdept@id.ebmpapst.com

 **Israel**
 Polak Bros. Import Agencies Ltd.
 9 Hamefalsim Street
 IL-Kiryat Arie, Petach-Tikva 49514
 Phone +972 3 9100300
 Fax +972 3 5796679
 polak@polak.co.il
 www.polak.co.il

 **Japan**
 ebm-papst Industries Japan K.K.
 12 Floor, Benex S-3 Bldg.
 3-20-8 Shinyokohama, Kohoku-ku
 J-222-0033 Yokohama
 Phone +81 45 47057-51
 Fax +81 45 47057-52
 info@jp.ebmpapst.com
 www.ebmpapst.jp

 **Korea**
 ebm-papst Korea Co. Ltd.
 6F, Trutec Bldg.
 B 6-2, Digital Media City (DMC)
 Sangam-Dong, Mapo-Gu
 ROK-Seoul 121-270
 Phone +82 2 366213-24
 Fax +82 2 366213-26
 info@kr.ebmpapst.com
 www.ebmpapst.co.kr

 **Malaysia**
 ebm-papst Malaysia
 Representative Office
 Block F1, 9A-4, Jln PJU 1/42
 Dataran Prima
 MAL-47301 Petaling Jaya
 Phone +60 3 780654-40
 Fax +60 3 780654-41
 salesdept@my.ebmpapst.com

 **Singapore**
 ebm-papst SEA Pte. Ltd.
 No. 23 Ubi Road 4
 #06-00 Olympia Industrial Building
 SGP-Singapore 408620
 Phone +65 65513789
 Fax +65 68428439
 salesdept@sg.ebmpapst.com

 **Taiwan**
 ETECO Engineering & Trading Corp.
 10F-I, No. 92, Teh-Wei Str.
 RC-Tsow-Inn District, Kaohsiung
 Phone +886 7 557-4268
 Fax +886 7 557-2788
 eteco@ms22.hinet.net

 **Thailand**
 ebm-papst Thailand Co., Ltd.
 99/349 Na-Nakorn Bldg., 4th Floor
 Chaeng Wattana Road, Thungsonghong,
 THA-10210 Laksi, BKK
 Phone +66 2 57615-24
 Fax +66 2 57615-42
 salesdept@th.ebmpapst.com

 **United Arab Emirates**
 ebm-papst Middle East FZE
 PO Box 17755
 Jebel Ali Free Zone / FZS1 / AP05
 UAE-Dubai
 Phone +971 4 88608-26
 Fax +971 4 88608-27
 info@ae.ebmpapst.com
 www.ebmpapst.ae

 **Vietnam**
 ebm-papst Vietnam
 Representative Office
 Room #102, 25 Nguyen Van Thu Street
 District 1
 VN-Ho Chi Minh City
 Phone +84 8 39104099
 Fax +84 8 39103970
 linh.nguyen@vn.ebmpapst.com

Australia



Australia

ebm-papst A&NZ Pty Ltd.



10 Oxford Road



AUS-Laverton North, Victoria, 3026

Phone +61 3 9360-6400

Fax +61 3 9360-6464

sales@ebmpapst.com.au

www.ebmpapst.com.au



New Zealand

ebm-papst A&NZ Pty Ltd.



102 Henderson Valley Road



NZ-Henderson, Auckland 1230

Phone +64 9 837-1884

Fax +64 9 837-1899

sales@ebmpapst.com.au

www.ebmpapst.com.au

ebm-papst
Mulfingen GmbH & Co. KG

Bachmühle 2
D-74673 Mulfingen
Phone +49 (0) 79 38 / 81-0
Fax +49 (0) 79 38 / 81-110
info1@de.ebmpapst.com

www.ebmpapst.com

ebmpapst