

COMPACT SOFT STARTER FINGER GUARD KIT

ASSEMBLY INSTRUCTIONS

1. Finger Guard Kit

Finger guards may be specified for personnel safety. Finger guards fit over the soft starter terminals to prevent accidental contact with live terminals, and can be used on compact soft starter models 75~110 kW. Finger guards provide IP20 protection when used with cable of diameter 22 mm or greater.

The Finger Guard Kit contains:

- 6 x finger guards (rubber)
- 2 x retaining brackets (aluminium)
- 1 x assembly instructions (this document)



WARNING

The soft starter contains dangerous voltages when connected to line voltage. Only a competent electrician should carry out the installation.

2. Installation

The finger guards are installed as follows:

1. Disconnect the soft starter from mains and control power cables.
2. Remove the front two screws from the casing around the power terminals (diagram 1).
3. Place three finger guards side by side in one retaining bracket. Align the assembly so that the screw holes in the bracket match the screw holes in the soft starter.
4. Feed one power cable through the narrow end of each finger guard and connect to the appropriate terminal on the soft starter (diagram 2).
5. Use the screws from step 2 to attach the retaining bracket to the soft starter casing.
6. Repeat the above steps for the other set of terminals.

If the cables do not fit through the finger guards, shorten the narrow end of the finger guards to make a bigger opening.

Diagram 1:

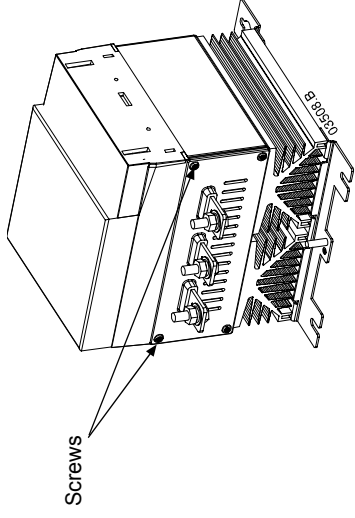


Diagram 2:

